



OFFICE OF THE DIRECTOR
INDIRA GANDHI INSTITUTE OF MEDICAL SCIENCES,
SHEIKHPURA, PATNA – 800 014 (Bihar, India)

Tel.: 0612 – 2297631, 2297099; Fax: 0612 – 2297225; Website: www.igims.org;
E-Mail: director@igims.org

TENDER NOTICE NO 01/2016-2017/ IGIMS/STORE (Annul.Tender)

Sealed tender in two bid system (Technical and Price bid in separate envelope) is hereby invited from manufacturers OR their authorized distributors, stokists & agents for supply of the following items:-

A	Reagents, Kits & Chemical etc for Lab and Medical Glass ware	B	Surgical Consumables for all surgical units and Dialysis/KTU /ERCP /Endoscopy/ Urology/Neurology/ Cardiology/Orthopedics / Obs & Gynec .O.T. /Emergency O T etc.
C	Chemical, Consumables ,Instrument for OT & Anesthesia	D	Office Furniture & Hospital furniture
E	Printing Formats of forms, & Stationery Items	F	Consumable and Non consumables for R.I.O.
G	Radiological films and consumables etc	H	Electrical Maintenance Items

1. Tender documents can be seen and downloaded from Institute web site (www.igims.org) for each group. In case downloaded bidding documents is submitted, the firm have to submit cost of the tender documents **Rs. 1000/- (One thousand)** only (Non- refundable) also in form of Demand Draft favoring of Director IGIMS, Patna payable at Patna.along with completed down loaded tender document.
2. Last date for submission of completed tender is up to **17.06.2016 at 330 PM** by Registered post/ Speed post/Courier.
3. Date of opening of received bids: **18.06.2016 at 11.00 A.M.** in the Conference Hall of I.G.I.M.S. - Patna
4. A sum of **Rs. 10000/- (Ten Thousand)** only for each group is to be deposited in the form of DD in favour of Director IGIMS payable at Patna as Earnest deposit along with tender.
5. Preference will be given to Handloom/Khadi Board of Govt.
6. Preference will be given to manufacturers of the Items participating directly.
7. Tender received after due date and time will not be considered. Delay in Postal dak will not be the responsibility of IGIMS, Patna, Director reserves the right to accept or reject any or all the tenders without assigning any reason.

Sd/-
Director
IGIMS, Patna

ANNUAL TENDER – 2016-17



Tender No:- 01 /2016-2017/IGIMS/Store

INDIRA GANDHI INSTITUTE OF MEDICAL SCIENCES,SHEIKHPURA,PATNA- 14

INDEX

Sl.No	Description	Page No
01	Instruction to Bidder	6 - 9
02	Condition of the supply	10 -12
03	Schedule of the requirement	13 -66

IMPORTANT DATES

Last date for submission of Bidding Document	17.06.2016 Till 3.30 P.M.
Date of Opening of Tender	18.06.2016 at 11.00 A.M.

CHAPTER-1

INSTRUCTION TO BIDDER

TENDER FORMS & DOCUMENTS

01.	Last Date & time of submission of Tender is 17.06.2016 at 3.30.P.M.	Cost of Tender Document: Rs. 1, 000/-
02.	Name & Address of tenderer(s):	
03.	Registration No. of the following: - a. Shop & Establishment/Registration No.(Desirable) b. BST & CST No/VAT No. (Attached certificate) c. Sale Tax clearance certificate. Up to date d. DGS & D Registration Certificate, if rate quoted on DGS D Rate contract. Note: - Tenderer must be registered with Bihar Sales Tax department.	
04.	Earnest Money:- Rs.10, 000/(Rs. Ten Thousand for each Group) in favour of Director, I.G.I.M.S., Patna payable at Patna in way of Demand Draft. No.....dated.....and Amount.....	
05.	Period of validity of quoted price:- Minimumm one year or it is extendable as per requirement.	
06.	Tenderer will not be allowed to mention any kinds of discount in quotation/terms and conditions. He will quote the rate only as per column in Sl. No.- 12 given below only. Other wise his tender will stand cancelled and no further correspondence will be entertained in this regard.	
07.	Clearly mention the Guarantee period & after sale services to be provided, if applicable.	
08.	General terms & conditions & tender document are mentioned in Chapter 2.	
09.	This Tender document is Non-transferable.	
10.	Please mention " Name of Group " at the left top corner of envelope.	
11.	Separate Tender Document is required for each group.	
12.	The quotation for items in the Tender Notice should be in the following format. Otherwise tender shall not be considered and rejected outright. Note: Overwriting / Fluiding / Cutting in price will not be allowed. Rates/Prices must be mentioned both in figure and words.	

Name of the Item	Packing size	Offer price per Unit with specification.	CST	Surcharge	BST	VAT	TOT	Net Unit Price	Is it DGS & D rate / Approved Hospital / General Market rate
1	2	3	4	5	6	7	8	9	10

Signature of tenderer with date

INSTRUCTION TO BIDDER

1.
 - a. The tender duly filled in shall be submitted in two sealed covers separately for technical and price bids respectively. Such covers shall be super scribed as “**Tender Notice No.:** (here mention the tender notice no. as specified) **TECHNICAL BID** for supply of (here mention the name of the Group” or “Tender Notice No.: (here mention the tender no as specified) **PRICE BID** for supply of (here mention the name of the Items)” as the case may be.
 - b. Both the sealed covers shall be put in another sealed (third) bigger cover which should also be super scribed as “**Tender Notice No.:**..... (here mention the tender no as specified) **TENDER for supply of** (here mention the name of the Items)”.
2. The “**Bidding Document**” can be downloaded from institute website www.igims.org only.
3. Last date for submission of bidding document **17.06.2016 till 3.30 P.M.** by registered post / speed post/ Courier only. Bidders are requested to send the bid well in advance so as to ensure that bid reaches in time. Institute will not be responsible for any postal delay. Bids received after due date and time shall be summarily rejected.
4. Earnest Money **10,000/- (Rs. Ten thousand)** only for each Group is required to be submitted along with tender by Demand Draft only along with the tender favoring Director, I.G.I.M.S. – Patna (payable at Patna). No interest is payable on EMD/ Bid security.
5. Non- submission of sufficient EMD along with the Technical Bid shall be one of the primary reasons for rejection of the offer in the first round.
6. **Part Supply** :- No part supply or wrong supply will be accepted, However in the intertest of the patient care, part Supply may be accepted with the approval of the competent authority but payment will be released only after full supply.
7. Following certificates are required with the **Technical Bid**:

Sl. No	Require Certificate	Attached at Page No.:..... of Technical Bid
1	Name and full address of the Bidder with Office telephone Number.	
2	Status of the Bidder whether manufacturer or authorized dealer/ agent/stockiest etc.	
3	Authorization letter of company (if authorized agency) in favour of bidder valid for not less than three prospective years.	
4	VAT Registration No. of bidder, if applicable.	
5	Sales Tax Clearance Certificate	
6	Pan Card of the bidder	
7	Income Tax return of bidder for the last three successive years up to financial year 2013-14.	
8	An affidavit from bidder that the company/firm has not been blacklisted /De- registered/ De-Barred by any govt. Institutions / organization	
9	An affidavit from bidder that the quoted rate in this financial bid is not more than the rate quoted in any other government, organization/Institution by them.	
10	An affidavit that Quoted rate is not higher than MRP.	
11	All documents must be attested by the bidder with signature, date seal.	
12	Technical specification of the items quoted in the light of the specification given in the bidding document (submit a check list).	
13	List of Institutions/Hospitals where supply has been made in the last three years.	
14	Sample of the Items (Must for the clothes of all types, Cotton, Gauge, Disposable Syringe, etc where ever applicable as mentioned in the document)	
15	Total turnover year wise in the preceding last three years. Manufacturers/Supplier having large turnover shall be preferred. (Attach audited Balance sheet & P/L A/C).	

|||||

PRICE BID:

- (i) Price of all the items quoted should be mentioned separately for each item. The price should be per unit basis.
- (ii) Standardization certificate for the items used shall have to be submitted, if required.
- (iii) All taxes applicable must be quoted wherever applicable. The exact amount of the tax at the prevailing should be clearly quoted. Simply **writing tax as applicable** shall not be sufficient and accepted & bid will be rejected.

CHAPTER – 2

CONDITIONs OF THE SUPPLY

INDIRA GANDHI INSTITUTE OF MEDICAL SCIENCES, PATNA-14.

“GENERAL TERMS AND CONDITIONS FOR SUPPLY”

1. **Destination of delivery:-** Central Store IGIMS, Sheikhpura , Patna
2. **Acknowledgement and discrepancies:**

On receipt of the supply orders any discrepancy should be pointed out within 10 days of the issue of the order. In case no intimation to the contrary is received from the firm within 10 days, it will be assumed that order has been accepted in full even though it may have been placed after the lapse of the validity period of the quotation.
3. **Prices:-** As mentioned in supply order.
4. **Taxes:-** Inclusive / Exclusive .If taxes are extra please specifying the rate of tax applicable on the items.
5. **Payment:-** After receipt of goods and satisfactory inspection report.
6. **Price variation clause:-** The institute shall accept the price rates as mentioned in the quotation only. The claim for price increase over the quoted price shall not be accepted by the institute within the validity period of the Price in the quotation. Any offer having less than one year validity of offered. Price shall be reject.
7. **Validity of price:-** Minimumm one year or it is extendable as per requirement.

8. **Delivery period:** - One momnth from the date of issuance of supply order. If the firm supplies after expiry of 30 days and within 45 days of the order a penalty of 2% of the total ordered value will be imposed/charged. Another delay of 15 days shall attract a penalty of 4% of total ordered value. If the firms fail to supply the ordered goods even after that, the following action shall be taken against them.
 - (A) Cancellation of the supply order.
 - (B) Forfeiture of security money.
 - (C) Black listing of firm for any future participation in tender of theInstitute.
 - (D) Legal action, if necessary.
9. **Supply:** - Normally Stores pertaining to the Supply Order should be dispatched in one lot. Part supply may be allowed upon written request by the supplier mentioning the reason of part supply and permission granted by Director or Store Officer but payment shall be made only after full supply order is executed.
10. **DELIVERY EXTENSION:** Under special circumstances on the ground of valid reason is submitted by the firm (i.e Flood, Natural Calamities, Non production of items due to strike of employees, etc) for extension to the satisfaction of the Institute, the Institute may consider giving further extension of time without penalty.
11. **REPLACEMENT OF DEFECTIVE / EXPIRED SUPPLIES** Shall be the sole responsibility of the firm at his cost.who has executed the supply.
12. **Expiry date of item supplied:-** No supply of items having expiry date less than one year on the date of supply shall be accepted by the store. Supplier having expiry date more than one year shall be preferred.
13. **DISCREPENY OR OMISSION**

The payments are made strictly on the basis of the supply order and firms are advised not to change anything. In the event of there being any discrepancy, the matter should first be referred to the institute for necessary amendment in the supply order before actual supply and submission of the bill.
14. **CHALLAN**

The suppliers should submit the challan in triplicate alongwith the supplies to the Central Store, IGIMS, Patna-14.
15. The bills should be submitted to the office of the Officer under whose signature supply order has been issued or to the Director.
16. **EXCISE SURCHARGE**

Following certificate should also be endorsed on each copy of the bill at the time of charging the Excise Duty, if admissible. “It is certified that the Excise Duty included in the bill is in accordance with the Excise Duty Rules and that the stores on which the Excise Duty has been charged are not exempted from the Excise Duty under the rules framed by the

Government of India for this purpose and the Excise Duty so charged /collected has been remitted accordingly to provision of the relevant rules.”

17. The Institute is not covered under form 'B' and as such Sales Tax as stipulated may be billed at the rates applicable.
18. Payment will normally be made when the full supplies are made against a supply order, except when part supply has been allowed in supply order or when the supplier has been asked to supply in installment. In such a situation payment may be released for part supply after completing the supply as per order.
19. **ITEMS AVAILABLE IN DIFFERENT PACKING, SIZE/QUANTITIES:**
For the items available in different packing sizes/quantities; the gross rate as well as unit price (In terms of relevant net quantity) should be mentioned for each packing size/quantity.
20. **ITEMS WITH DIFFERENT NET AND GROSS WEIGHT:**
For items with different net weight and gross weight, e.g., COTTON ROLL- for each packing size, both net as well as gross weight must be mentioned along with corresponding rates.
21. **DIFFERENT SPECIFICATION FOR SAME ITEM:-**
In case of items with different specifications, if mentioned in tender paper separate rate with details of specification must be mentioned
22. **STAMPING/NUMBERING OF ITEMS:**
For items having longer life e.g. furniture fans, almirah and linen, manufacturer / supplier may be required to put a number / stamping with paint or any other suitable materials at the discretion of the Institute. Tenderers must mention the separate rates for this work.
23. **ITEMS WITH CERTAIN SPECIFIED HALF LIFE**
For items with specified half-life e.g. radioisotopes half-life of the items quoted must be mentioned. Unless otherwise, the quantity in such cases accepted for payment will be the quantity received at IGIMS, Store and not at dispatched.
24. **WARRANTY/GUARANTEE ON THE ITEMS SUPPLIED**
Wherever applicable, supplier is required to mention warranty/guarantee available on specified items (with duration of warranty/guarantee applicable). Manufacturer/authorised dealer/supplier offering warranty/guarantee on item supplied will be given due weightage. In case where warranty/guarantee is mentioned on the packing material/item itself /catalogue of the manufacturer, it will be mandatory for the supplier to extend the same to the Institute.
25. **D.G.S. & D. RATE CONTRACT**
Manufacturers/Dealer/Supplier having DGS & D rate contract should attach necessary certificate with validity alongwith rate and specification for relevant items.
 1. Supplier is required to give under-taking to the effect that they have not supplied the Items quoted to any Govt. / Semi Govt.institution/organization at prices lower than the price quoted in the price bid. Further, in case of price going down in future, the supplier will pass on the benefit to IGIMS, Patna.
 2. Tenderer must submit a certificate that the quoted price is not higher than the MRP or market price for the same make of the quoted items.

IMPORTANT

The procedures for rendering bills are prescribed in clauses 7, 8 and 9 above. It is essential that the bills should be in accordance with these clauses: -

1. The bills should be prepared in triplicate.
 2. It should be accompanied by the Inspection Note obtained from the department concerned of the Institute.
 3. The Bills should be pre-receipted and affixed with Revenue stamps, where necessary.
 4. In bills B.S.T. /VAT/Service Tax registration number must be mentioned on each copy of the bill.
 5. The bills should be supported by a certificate for Excise Duty as stated in the above clause.
28. **POSTAGE AND FREIGHT**
Where payable in terms of supply order and is claimed in the bills, the original receipt granted by the post office and/ or the Railways should be attached with the bill.
29. **Replacement: Replacement of defective supplies shall be the sole responsibility of suppliers at their own cost.**
30. Special Clause may be added if necessary in the Supply Order.
31. If manufacturer shall submit their quotation directly; after approval of the rate/quotation by the competent committee, their authorized agent/ Distributors can supply the items and raise the bill for payment

**Director
IGIMS, Patna**

CHAPTER-3

Schedule of the requirements & other details

GROUP: A

Kits Chemicals and Glass ware items for the deptt. of Biochemistry

Item Description

SI No	Name of the Items	Unit Price	Packsize	Vat/CST	Total unit price
1	S G P T				
2	S G O T				
3	Alkaline Phosphatase				
4	BUN (UREA) Bertlot Method)				
5	GLDH Kinetic Method				
6	Uric Acid				
7	Cholesterol				
8	Triglyceride				
9	L D H				
10	Gamma G. T.				
11	Glucose				
12	Protein Total				
13	Albumin				
14	Inorganic Phosphates				
15	Copper				
16	Glycosylated Hemoglobin with tube & calibrator				
17	Calcium-				
18	C P K				
19	CK-MB				
20	Bilirubin Total & Direct (DMSO)				
21	Direct HDL with Calibrator,				
22	Direct LDL with Calibrator				
23	Acid Phosphatase Kinetic Kit.				
24	Creatinine Fixed time kinetic kit				
25	<u>Amylase Kit .</u>				
26	Dispenser – 5 ml fixed volume & 10-ml volume				
27	V M A- Complete Kit with all Accessories (Calibrator, Glassware etc.)				
28	Micro Albumin with Calibrator				
29	Ceruloplasmin-(Complete Kit with Caliberator& Tubes etc.)				
30	Ferritin + Complete with all accessories (Stand and Tubes, Caliberator Programmable on Autoanalyzer.				
31	Human Normal & Pathological Control				
32	Direct - L D H Measurement Kit				
33	Normal and Pathological control kit				
34	Serum Homocystine with calibrator				
35	Lipase with calibrator				
36	Alfa- antitrypsin				
37	Ammonia				
38	G-6 Phosphatase				
39	Lithium with calibrator				
40	<u>Magnesium with calibrator</u>				
41	High Sensivity CRP with calibrator.				
42	Cyclosporine kit with control and calibrator.				

REAGENT KIT FOR USE ON AU- 400 AUTOANALYSER (BIOCHEMISTRY)

(SYSTEM PACK ONLY ALONGWITH PROGRAME SHEET.)

SI No	Name of the Items				
1	SUGER				
2	Bilirubin- total				
3	Bilirubin – Direct				
4	Alkaline Phosphatase				
5	AST/SGOT				
6	ALT/SGPT				
7	Albumin				
8	Bun (GLDH) 340nm				
9	Creatinine				
10	Amylase				
11	Total Protein				
12	Uric Acid				
13	Calcium				
14	Inorganic Phosphorus				
15	Cholesterol				
16	HDL Direct.with calibrator				
17	LDL Direct with Calibrator				
18	Gamma G. T				
19	CPK				
20	CKMB				
21	LDH				
22	Lipase				
23	TIBC (Total Iron Binding Capacity)				
24	IRON				
25	Serum Homocystine.				
26	Triglyceride				
27	Copper				
28	Urea/ Bun				
29	Uric Acid				
30	Ferritin				
31	Seruloplasmin				
32	Tranferrin				
33	Glyco Hb with Calibrator				
34	For Semi Auto Analyzer				
35	P. M kit				
36	Peristaltic pump tube				
37	Ext& Internal tubing				
38	Printer paper				
39	Lamp (Erba)				
40	Erba wash				
41	Aspiration tubing				
42	Vacutainer for blood sample collection (with needle set)				
43	Blood sugar collection tube (Fluide tube) plastic				
44	ISE (AU-400 Machine)				
45	Wash Solution				
46	ISE MID Std. Buffer				
47	Na+, K +, CL- Electrode.				
48	ISI Buffer				

49	Select Check					
50	Ref. Int. Solution					
51	Std. High and Low (Urine protein)					
52	ISI Std. Serum high					
53	ISI Std. Serum Low					
54	ISI Ref. Solution					
55	ISE Cleaning Solution					
56	Control Serum Level 1					
57	Control Serum Level -2					
58	System Calibrator					
59	HDL /LDL Cholesterol control HDL Cholesterol calibrator sera					
60	HDL Cholesterol Calibrator DZ130A-CAL					
61	LDL Cholesterol Calibrator					
62	Urinary Na+ & K+ Std – (Low & High)					
63	CK.MB Calibrator					
64	Troponin T					

LABORATORY CHEMICALS FOR BIOCHEMISTRY DEPARTMENT

1. Sodium Fluoride
2. DI Potassium Oxalate
3. Sodium Potassium Tartar ate
4. Methanol
5. Trichloroacetic acid
6. Sulphuric Acid
7. Brilliant Creosol Blue Powder
8. Extran- solution.
9. Orthophosphoric Acid
10. Bromocresol Green Solution- 0.5% for Albumin Estimation.
11. Hydrochloric Acid A.R.
12. Sodium Hydroxide (pellets)
13. Clean sol
14. Cadmium Sulphate
15. Potassium Iodide
16. Brilliant Crystal Blue Solution
17. Picric Acid (crystal)
18. D- Glucose
19. D. (+) Xylose powder for serum D xylose estimation.
20. Sodium Citrate
21. Magnesium Chloride.
22. Urease Powder (More than 1000 sumner Units /gram)
23. Sodium Hypochlorite
24. Acetone.
25. Phenol
26. EDTA
27. Sodium Carbonate
28. Sodium Bicarbonate
29. Di-Sodium Phenyl Phosphate
30. Potassium Fericynide K4 Fe (C N) 6
31. Citric Acid
- 31 (A) Sodium Hypochlorite (Concentrate)
32. Benzoic Acid
33. Acetic Acid
34. Distilled water
35. Xylol
36. Thiosemi carbozide.
37. Diacetylc monoxime
38. sodium diethyl borbitunic acid
39. Sodium diethyl borbiturate acid
40. Amido shwary

41. muranic chloride
42. copper sulphate
43. copper acetate
44. sodium agide
45. arsenic penta oxide
46. filter paper
47. ammonium sulphate
48. ammonium ferric sulphate ($\text{Fe}_2(\text{SO}_4)_3 \cdot (\text{NH}_4)_2\text{SO}_4 \cdot 24\text{H}_2\text{O}$)
49. ETHROL
50. FATHER SOLVENT
51. fructose
52. formalin
53. glycerol
54. hydrochloric acid
55. hydrogen peroxide
56. iodine
57. lactose
58. nitric acid
59. orthofoludine
60. potassium iodide
61. Rochelle salt (potassium bitartrate)
62. potassium ferrioxalate
63. sodium sapphire
64. silver nitrate
- 65.
66. sodium nitrate
67. sodium tungstate
68. sodium taurocholate
69. urea
70. uric acid
71. zinc sulphate
72. filter paper

GLASSWARES

<u>Sl. No.</u>	<u>Name of the Item</u>
01	Pipette Graduate Size: 1 ml., 2 ml., 5 ml., 10 ml. 25ml
02	Volumetric Flask Size: , 100ml , 200 ml. 250ml ,500ml, 1000 ml 2000ml
03	Beaker : 10ml., 50 ml., 100 ml., 250 ml., 500 ml., 1000 ml., 2000 ml.,
04	Test Tube: 10x25 mm,12x100 mm., 16x100 mm., 10x15 mm., 20x100 mm., 12x75 mm., 24x100 & 25x100mm.15x125mm
05	Cover Glass: 18, 19, 20 mm. 22x50mm
06	Cover Slip –22x55mm. 18mm/10gn/n2-1
07	Slides- (75x25 mm) L/W
08	Glass Funnel -, 40 ml, 100 ml.
14.	E S R Pipette
15.	test tube holder
16.	flat bottom flask 500ml, 1 lit
17.	Reagent bottle 500ml, white & Brown
18.	Reagent bottle (Amber colored) 125ml, 250ml
19.	Whitman Filter
20.	Measuring Flask
21.	Fully Autoclavable-Micro-pipette (Fixed Volume) 1 ul, 2 ul, 5 ul 10 ul 20 ul 50 ul 100 ul 200 ul, 250 ul, 500 ul, 1000 ul, 2000 ul, 3000 ul, 5000 ul , 10 ml. Variable Volume 0.3-3 ul, 0.5-5 ul, 1-10 ul, 3-30 ul, 5-50 ul, 10-100 ul30-300 ul, 100x500u 100-1000 u, 0.5- 5 ml, 1-10 ml. 200-1000ml, 1000-5000ml
22.	Cylinder Graduate Polye-thinline – 2Lt.
23.	Distillation Plant - S.S.- 10, 20, 40, Lt. Borosilicate Glass Flask.
24.	Aluminum Rack with Hole – 1" – 30 Holes, ¾" – 30 Holes, ½ - 48 Holes, 30 Holes.(Test Tubes Stand)
25.	Centrifuge Tube Conical
26.	Tube 1000x200 ml.

- 27 .Bottle Culture Plain
- 28 Glass Tube
- 32.Plastic Cylinder- 1 Lt. – 5 Lt.
33. Hot Plate
34. Cylinder Measuring- 10ml ,100 ml., 500 ml., 1000 ml.
35. Chromatography Jar Cork Cap.
36. Chromatography Paper No 1, 2.
37. Ph. Paper of different range
38. Microtips (5ml, 10 ul to 300 ul ,50-200ul, 200 -1 000ul)
39. Microtips (1000 ul, 3000ul, 5000 ul capacity)
40. Micro-Pipette Stand
41. Electronic Pipette-aid
42. Dispenser bottle 5ml, 10ml, (Variable Volume)
43. Pipette stand.
44. Funnel big size.
45. Desicator - 1 lit.
46. Stop watch
47. Test tube rack. 30 hole. Almunium $\frac{1}{2}$ disc, $\frac{1}{2}$ “, 1” – 3 $\frac{1}{2}$ “
48. Disposable tips for pipettes 1 ul up to 1000 ul 9 1ml0
49. Conical Flask
50. Plastic Rack $\frac{1}{2}$ “dia 48 Holes.
51. Auto Dispensary 5ml
52. Blood Culture bottle adult & Pediatric
53. Vacutainer with all type collection tube & Puncture needle set
57. Microtips
58. Plastic Rack
59. Comed Brush
60. Variable Volume Pipette/ Dispensary Pipette

Please quote in Separate sheet

Department of Microbiology

1. Bateriology, Mycology & Parasitology Section

01	Brain Heart Infusion Broth			
02	Blood Culture Bottle-Adult/Paediatric for Bact Alert 3D (Automated System)			
03	Blood Culture Bottle-Adult/Paediatric for manual performance			
04	Triple sugar iron agar			
05	Sulphide indole motility medium			
06	Simmon's citrate agar			
07	Urease medium			
08	Muller Hinton agar			
09	Selenite-F broth			
10	Robertson's Cooked meat medium			
11	TCBS medium			
12	Nutrient agar			
13	Mac Conkey agar			
14	CLED agar			
15	Thioglycollate broth			
16	Yeast nitrogen with glucose agar			
17	XLD medium			
18	Chrome agar for Candida			
19	Potato Dextrose agar			
20	MR-VP base			
21	Chlamydiospore agar			
22	Deoxocholate citrate agar			
23	L.J.medium			
24	ESBL screening agar(biomerieux)			
26	Salmonella "O" fact2 Group-A-Antisera			
27	Salmonella "O" factor4 Group-B-Antisera			
28	Salmonella "O" factor5 Group-B-Antisera			
29	Salmonella "O" factor9 Group-D-Antisera			
30	Salmonella V Antisera			
31	Salmonella H(d,E,G,K)			
32	Salmonella H (a) Antisera			
33	Salmonella H (b)SAntisera			
34	Salmonella H © Antisera			
35	Salmonella H (d)57 Antisera			
36	Salmonella HL Polyvalent Antisera			
37	Salmonella Polyvalent Antisera			
38	Shigella dysenteriae Polyvalent Antisera(1-10)			
40	Vibrio cholera Inaba Antisera			
41	Vibrio cholera ogawa Antisera			
42	Esch coli polyvalent 2 (type 026,055,0111)			
43	MCFarland equivalent turbidity standard 0.5(Readymade BaSO ₄ Solution)			
44	Haemophilus influenzae(b)- antigen testing kit			
45	Streptococcus pneumoniae antigen kit			
46	Neisseria meningitides(A C Y W 135) antigen kit			
47	Neisseria meningitidis B/E coli K1 antigen kit			
48	Kovac's reagent			
49	Oxidase test reagent			

50	Gas-Pak sachet			
51	Sabouraud'agar			
52	Hemo-spot			
53	Vitamin K1 10 µgm/ml			
54	Haemin 5 µgm/ml			
55	DNase agar			
56	Bile aesculin agar			
57	Nitrate reduction test medium			
58	Phenyl alanine agar			
59	O-F media			

List of Chemicals

01. Hydrogen peroxide
02. Bleaching powder
03. Creatine powder
04. Urea powder
05. Sodium chloride
06. Conc. Sulfuric acid
07. Glacial acetic acid
08. Sulphanilic acid
09. Alphanaphthylamine
10. Andrade's indicator
11. Neutral red indicator
12. Isoamyl alcohol
13. Hi-Media Chemical analyser kit
14. Paraffin oil
15. Sodium hydroxide
16. Crystal violet
17. Sudan black B
18. Giemsa Stain powder & solution
19. Leishman's Stain Powder & solution
20. Sodium azide 1%
21. Sulphur powder
22. Acetone
23. Chloroform
24. Albert stain
25. Potassium hydroxide
26. Carbol Fuchsin solution
27. Ammonium sulphate
28. Gram's Iodine
29. Hydrochloric acid
30. Methylene blue
31. Cleansol
32. Lactophenol cotton blue
33. Basic fuchsin(powder)
34. Malachite green(powder)
35. Formalin
36. Nitrous oxide
37. Immersion oil
38. Trichloro acetic acid
39. Saturated sodium citrate
40. Barium chloride
41. Glycerol(AR)
42. P,Dimethyl amino benzaldehyde
43. Lead acetate paper
44. Tetrazolium chloride
45. Peptone water

46. 5% solution of Sodium hippurate for hippurate hydrolysis
47. Conc. HCl
48. Conc. H₂SO₄
49. Anaerobic strip
50. Autoclave strip
51. Ferric chloride
52. Lugol's iodine solution
53. Bromo thymol blue indicator
54. Mercuric oxide
55. Anaesthetic ether
56. Benedict's solution
57. Fouches Reagent solution
58. Ninhydrin
59. Dimethyl alpha naphthylamine
60. Sodium Taurocholate powder
61. Ethyl alcohol
62. Nitric acid
63. P^H paper
64. Leishman powder
65. Malaria kit
66. Sodium hydroxide
67. Methanol
68. Brilliant cresol blue
69. Saffranine
70. India ink
71. DPX for permanent mounting
72. Sugars- Glucose, Dulcitol, Lactose, Sucrose, Mannitol, Maltose

List of Antibiotic Discs

01. Ampicillin(10 µgm)
02. Streptomycin (10 µgm)
03. Chloramphenicol(30 µgm)
04. Tetracycline(30 µgm)
05. Nitrofurantoin(300µgm)
06. Gentamicin (10 µgm)
07. Cotrimoxazole (25 µgm)
08. Cefotaxime (30 µgm)
09. Penicillin (10 µgm)
10. Erythromycin (15 µgm)
11. Nalidixic acid (30 µgm)
12. Ceftazidime (30 µgm)
13. Ceftazidime/Clavulanic acid combination (30/10 µgm)
14. Amoxycilline/Clavulanic acid combination (20/10 µgm)
15. Ciprofloxacin(5 µgm)
16. Ofloxacin (5µgm)
17. Bacitracin (0.4 units)
18. Oxacillin (1 µgm)
19. Piperacillin(100 µgm)
20. Carbenicillin(100 µgm)
21. Tobramycin (100 µgm)
22. Tazobactam/Piperacillin (10/100 µgm) combination
23. Amoxycillin(10 µgm)
24. Novobiocin(30 µgm)
25. Optochin
26. Ceftriaxone(30 µgm)
27. Cephalothin(30 µgm)

28. Vancomycin(30 µgm)
29. Cefadroxil (30 µgm)
30. Imipenam(10 µgm)
31. Meropenam(10 µgm)
32. Amikacin (10 µgm)
33. Amphotericin B(100 units)
34. Fluconazole (10 µgm)
35. Itraconazole (10 µgm)
36. Nystatin
37. Colistin(10 µgm)
38. Cephalothin(30 µgm)
39. Cefoxitin(30 µgm)
40. Vancomycin (30 µgm)
41. Cefpodoxime (10 µgm)
42. Cefpodoxime/Clavulanic acid(10/5 µgm)
43. Linezolid
44. Clindamycin
45. Daptomycin
46. High level Genta disc (120 µgm)

List of Glassware and Instruments

01. Test tube (big)
02. Test tube (100X12 mm)
03. Microscope slide
04. Petridish(big)
05. Petridish(small)
06. Microscope lens 40X, 100X
07. Simple microscope(hand lens)
08. Cover glass(18mm)
09. Binocular light microscope with computer screen attachment
10. Binocular light microscope-Penta or octa headed
11. Screw capped 3-4 ml capacity plastic vials
12. Vial rack
13. Air conditioner
14. Slide box
15. Book shelf
16. Cupboards for storing items
17. Biosafety cabinet
18. Weighing machine for media preparation
19. Forceps
20. Table lamp
21. Gulcometer With strips (Code free) .it should be US FDA Approved.
22. Measureing cylinder (glass) 50ml, 500ml, 1000ml
23. Wash bottle (plastic) 500ml, 1000ml

2. Immunology /Blood Bank

01. R.A.latex
02. C.R.P.
03. A.S.O. titre
04. Widal Latex
05. VDRL/RPR
06. MT 10TU
07. ANA-ELISA
08. Amoebic Serology
09. HBsAg ELISA

10. Anti HCV ELISA
11. HIV ELISA
12. Anti HEV IgM
13. Anti HAV IgM
14. HBEAg ELISA
15. HBEAb ELISA
16. Anti HCV IgM ELISA
17. Anti HBc IgG ELISA
18. Dengue NS + Ag +Ab (Rapid)
19. HBsAg (Rapid)
20. AntiHCV(Rapid)
21. HIV(Rapid)
22. Typhi Dot(Rapid)
23. Malaria Parasite(Antigen) (Rapid)
24. MT Syringe
25. Micro tips (Yellow)
26. Micro Tips(Blue)
27. TORCH Panel
28. BHCG-ELISA
29. PSA –ELISA
30. Testosterone –ELISA
31. CEA-ELISA
32. CA-125-ELISA
33. CA-19.9 –ELISA
34. CA-15.3-ELISA
35. AFP
36. sample tips - for DS-2 (part no. 65910)
37. Reagent tips - for DS-2 (part no. 65920)
38. Micro tips (yellow)
39. Micro tips (blue)
40. Lyzol (Cleaning sol)
41. Khan tubes (Plastic disposable) (1x100)
42. Plain wacum container (1x100)
43. Reagent cups (DYNEX AVANTA)
44. Blood Bag -350ml single

Items for deptt. of Pathology including ,Hematology, Cytology, Histopathology and Chemicals Pathology

Please quote in Separate Sheet

Tender items for Pathologydeptt

1	Ammonia (2.5L)				
2	Acetone (2.5L)				
3	Xylene (2.5L)				
4	Isopropyl alcohol (5L)				
5	Spirit (5L)				
6	Ethyl alcohol (500mL)				
7	Glycerol (2.5L)				
8	Paraffin wax with cresin (2kg)				
9	DPX (250ml)				
10	Formalin (5L)				
11	Microslides (50pcs/pack)				
12	Microslide coverglass (thinner;50x22mm)50 pcs/10gm				
13	Microslide coverglass (18x18mm)				
14	WHATMANN Filter Paper No.1sheets100 nos.				
15	Filter Paper Round 12.5 cm dia No.40 Pkt.				
16	FILTER PAPER ORDINARY Each				
Sl. No	Name of chemical				
1	Activated charcoal—500 gm				
2	Aluminium chloride –500 gm				
3	Barium chloride –500 gm				
4	Benzoic acid –500 gm				
5	Carmine –25gm				
6	Citric acid—500 gm				
7	Copper sulphate –500gm				
8	Dextrose monohydrate sulpahte –500 gm				
9	Eosin powder—25 gm				
10	Gelatine pure –500 gm				
11	Hematoxylin powder –5 gm				
12	Hydroxyquinone –500 gm				
13	Light green—25 gm				
14	Molybdc acid –100 gm				
15	Oxalic acid 23ehydrate—500gm				
16	Potassium acetate—500 gm				
17	Potassium alum—500 gm				
18	Potassium iodide pure –250 gm				
19	Potassium permanganate pure—500 gm				
20	Silver nitrate—25 gm				
21	Sodium acetate trihydrate—500 gm				
22	Sodium thiosulphate –500 gm				
23	Sodium carbonate pure—500 gm				
24	Trichloroacetic acid –500 gm				
25	Biebrich Scarlet Red color—10 gm				
26	Corbol fuschin—10 gm				
27	Potassium metabisulphate—500 gm				
28	Toludine blue—5 gm				
29	Acid Fuschin—25 gm				
30	Alcian blue—5 gm				
31	Methylene blue—125 ml				
32	Periodic acid—100 gm				
33	Borax—100 gm				

34	Ferric chloride—500 gm				
35	Gold Chloride—1gm, 50%				
36	Gram's Iodine—5gm				
37	Iron alum—5gm				
38	Methyl violet—25 gm				
39	Methyl green—25 gm				
40	Luxol Fast blue—5gm				
41	Metanil yellow				
42	Paradimethylamino Benzaldehyde—100 gm				
43	Phosphomolybdic acid—25 gms				
44	Potassium Ferrocyanide –500 gm				
45	Pyronin—Y—5gm				
46	Rubeanic acid—5gm				
47	Strong Basic Fuschin –25gm				
48	Thymol crystals –100 gm				
49	Trisodium citrate—500 gm				
50	Weigert's Iron Hemotoxylin –25gm				
51	Aniline blue—100 gm				
52	Formic acid—500 ml				
53	Hematoxylin –125 ml				
54	Hexamine—500 gm				
55	Papanicolaous Solution: 1A Harries Hematoxylin –125 ml EA 36 (Cytological)- 125ml OG 6 (Cytological)- 125 ml				
56	Phenol Crystal GP—500gm				
57	Phosphotungstic acid—500gm				
58	Potassium—500gm				
59	Congo Red—25 gm				
60	Sudan III				
61	Oil Red O				
62	Nitric acid (500ml)				
63	Giemsa stain powder (10gm)				
64	Leishman stain powder (500 gm)				
65	Methanol (acetone free)				
66	Drabkin solution (5L)				
67	EDTA powder (500gm)				
68	RBC diluting fluid				
69	WBC diluting fluid				
70	Platelet diluting fluid				
71	Reticulocyte counting fluid				
72	ESR solution (500ml)				

Clinical Pathology Laboratory

S. NO	Item	Unit			
1	Multi strips (10 items test)	100 strips/bot (bottle)			
2	Combi strips (4 item test)	100 strips/bot (bottle)			
3	Uro strips (2 item test)	100 strips/bot (bottle)			
4	Benedict's reagent	1000ml/ bot			
5	Ehrlich's reagent	1000ml/bot			
6	Fouchet reagent	1000ml/ bot			
7	Sodium acetate				
8	Sulphur powder	500gm/bot			
9	Ether	500ml/ bot			
10	Chloroform	500ml/ bot			
11	Hydrochloric acid	1000ml/ bot			
12	Glacial acetic acid	1000ml/ bot			
13	Mercuric oxide red	25g/bot			
14	Barium chloride	500ml/ bot			
15	Normal saline	450ml/bot			
16	TCA solution	500ml/bot			
17	Ammonium sulphate	500gm/bot			

18	Sulphosalicylic acid	500ml/bot				
19	Sodium nitropruside	500gm/bot				
20	Anti- A B D					

Haematology Kit

1	Prothrombin time kit	kit				
1	D. Dimer test for DIC	Kit				
2	APTT	pkt				
3	Alkaline Phosphatase	kit				
4	Thromboplastin HS with calcium	pkt				
5	Control normal and abnormal plasma	pkt				
6	Factor IX deficient plasma	pkt				
7	Factor XI deficient plasma	pkt				
8	Factor V deficient plasma	Pkt				
9	Factor VII deficient plasma	Pkt				
10	Factor VIII deficient plasma	Pkt				
11	Factor X deficient plasma	pkt				
12	Non-specific esterase cytochemical kit	kit				
13	Specific chloroacetate esterase cytochemical	kit				
14	Myeloperoxidase staining kit	kit				
15	Acid phosphatase kit	kit				
16	ADP for platelet aggregation study	vial				
17	Collagen for platelet aggregation study	vial				
18	Ristocetin platelet aggregation study	vial				
19	Asserathrome vWF ELISA kit	kit				
20	Fibrinogen kit	pkt				
	Accessories for Haematology Laboratory					
1	Lancet disposable (200/pack)					
2	Autodispensor (5ml)					
3	Micropipette (20cc)					
4	Micropipette (variable- 20to 50cc)					
5	RBC pipette					
6	WBC pipette					
7	Hb pipette					
8	ESR Stand					
10	ESR Tube					
11	ESR Tube Disposable					

Consumable Items (Regular supply)

1	Adhesive plaster 7.5cm	
2	x 9.1Mts (Zinc Oxide)	
3	Electric saw for cutting bone	
4	Chopping plate (Big size)	
5	BP blade handle (scalpel) for fitting 21 No blade	
6	BP Blade size 21	
7	Surgical Paper Tape 2"	
8	Transparent surgical tape 2"	
9	Disp. Spinal Needle B.D 22G	
10	Disp. Spinal Needle B.D 23G	
11	Cuvette material(Quartz) for colorimeter estimation	
12	Balance to measure gross specimen(upto 500g)	
13	Nail cleaning brush	
14	TISSUE CAPSULE (small) TISSUE CAPSULES (large) Sputum cup plastic with lid	
15	Lint Cloth	
16	Balance, chemicals with weights	each
17	Balance for weighing organs with weights Weighing machine for weighing cadever	each
18	Cell counters nine keys (for DLC) Laboratory stirrer Drill for boring glass pH meter electric Water still electric	each each
19	Urinometer Albuminometers: Esbachs Hemocytometer with RBC&WBC pipette Sahli's haemoglobinometer Spectrophotometer	each
20	Liver biopsy needle	each
21	Bone marrow aspiration needle (adult)	each
22	Bone marrow aspiration needle (child)	each
23	Bone marrow trephine biopsy needle (child)	each
24	Bone marrow trephine biopsy needle (adult)	each
25	Lumbar Puncture needle	each

immunohistochemistry reagents

S/N	Name of the antibody	unit
1	CD31	6ml
2	ALK Protein	6ml
3	CD2	6ml
4	CD34	6ml
5	CD61	6ml
6	CD68	6ml
7	CD99	6ml
8	CEA	6ml
9	CA125	6ml
10	Chromogranin	6ml
11	Calponin	6ml
12	Calretenin	6ml
13	CyclinD1	6ml
14	CK	6ml
15	CK7	6ml
16	CK8	6ml
17	CK19	6ml
18	CK20	6ml
19	Desmin	6ml
20	ER	6ml
21	EMA	6ml
22	E-Cadherin	6ml
23	F-VIII	6ml
24	GH	6ml
25	GFAP	6ml
26	Her2 New	6ml
27	HMB 45	6ml
28	Hbcag	6ml
29	KI67	6ml
30	Hbsag	6ml
31	Kappa	6ml
32	LCA	6ml
33	Lamda	6ml
34	LH	6ml
35	Myoglobin	6ml
36	Melan A	6ml
37	Myeloperoxidase	6ml
38	NSE	6ml
39	NCL-BrdU	6ml
40	Prolactin	6ml
41	PR	6ml
42	PCNA	6ml
43	P53	6ml
44	PanCK	6ml
45	PSA	6ml
46	S100	6ml
47	SMA	6ml
48	TDT	6ml
49	Vimentin	6ml
50	PLAP	6ml
51	P63	6ml
52	HMCK 34 BE12	6ml
53	VEGF	6ml
54	GALACTIN7	6ml
55	EBV-LMP	6ml
56	BCL2	6ml
57	Surface IgM	6ml

58	CD16	6ml
59	CD56	6ml
60	CD4	6ml
61	P63 Monoclonal Antibody	6ml
62	Cytokeratin High MW	6ml
63	Polyclonal VEGF	6ml
64	CD22 Monoclonal (FPCD)	6ml
65	Synaptophysin	6ml
66	CD16, Monoclonal	6ml
67	CD57 (Natural Killer Cell)	6ml
68	CD4, Monoclonal	6ml
69	Cytokeratin 14	6ml
70	Human Galactin -7 Affinity Purified Polyclonal Ab	6ml
71	Monoclonal Antibody to CD56 (NCAM-1)	6ml
72	CD38	6ml
73	CD138	6ml
74	CD23	6ml
75	CD117	6ml
76	CD1a	6ml
77	CD19	6ml
78	Tween 20(washing solution)	
79	Secondary antibody	
80	DAB	
81	calretinin	6ml

Accessory for Immunohistochemistry

S/N	Name of the item	unit		
1	Poly- L-Lysin (adhesive)	each		
2	Tris buffer			
3	Citrate buffer			
4	Skimmed milk			
5	Bovine serum			
6	Hcl			
7	NaoH			
8	H2O2			
9	pH meter			
10	Staining box with lid			

Solt A 500 ml			
Glycerol 2.5 Ltr			
Paraiinwax with cresin 500gm			
DPX 250 ML			
Formaline 5 Ltr			
Micro slide cover glass each (40x22mm)			
Eosin powder 25 gm			
Hemotoxylin powder 5gm			
Corbol fuschin 10gm			
Toludine blue			
Formic acid 500 ml			
Nitric acid 500 ml			
Harries hematoxylin 125 ml			
EA 36 cytological 125 ml			
OG 6 cytological 125ml			
Bendict reagent 500 ml			
Ehrich reagent 125 ml			

Sodium acetate			
Sulphur powder 500 gm			
Ether solvent 500ml			
Choloroform 500 ml			
Hydrochloric acid 500 ml			
Gacial acetic acid 500 ml			
Barium chloride 500 gm			
Normal saline 500 ml			
Giesma stain powder 10 gm			
Methanol acetone free 500 ml			
ESR stand			
Glass marking pencil			
ESR tube (glass) each			
Fouchets reagents 125 ml			
WBC diluting fluit 500ml			
RBC diluting fluit 500ml			
Drabkin solution 1 Ltr			
Lesmain powder 25gm			
Paister pipette each			
Ammonium sulphate 500gm			
Sulphosalicylic acid 100gm			
Reagent bottle (poly) each			
Dropping bottle (poly) each			
EDTA powder 100 gm			
ESR solution 500ml			
Reticulouyte counting fluid 125 ml			
Platelet diluting fluid 125ml			
Sodium hypochloride			
Nitric Acid			
Postasium alum 500gm			
Uninometer each			
Albuminimeter each			
TCA solution 125 ml			

S.No	Items	Unit Price	Taxes if any	Total amount with vat/ taxes
1.	Ammonia (2.5L)			
2	Acetone (2.5L)			
3.	Xylene (2.5L)			
4.	Isopropyl alcohol (5L)			
5.	Spirit (5L)			
6.	Ethyl alcohol (500mL)			
7.	Glycerol (2.5L)			
8.	Paraffin wax with cresin (2kg)			
9	Eosin powder—25 gm			
10.	DPX mountain (250ml)			
11	Hematoxylin powder —5 gm			
12	Formalin (5L)			
13	Potassium alum—500 gm			
14	Potassium permanganate pure—500 gm			
15	Corbol fuschin—10 gm			
16	Potassium metabisulphate—500 gm			
17	Toludine blue—5 gm			
18	Acid Fuschin—25 gm			
19	Alcian blue—5 gm			

20	Methylene blue—125 ml			
21	Periodic acid—100 gm			
22	Borax—100 gm			
23	Ferric chloride—500 gm			
24	Gram's Iodine—5gm			
25	Iron alum—5gm			
26	Methyl violet—25 gm			
27	Thymol crystals –100 gm			
28	Trisodium citrate—500 gm			
29	Weigert's Iron Hemotoxylin –25gm			
30	Formic acid—500 ml			
31	Hematoxylin –125 ml			
32	Papanicolaous Solution: 1A Harries Hematoxylin –125 ml EA 36 (Cytological)- 125ml OG 6 (Cytological)- 125 ml			
34	Congo Red—25 gm			
35	Sudan III			
36	Oil Red O			
37	Nitric acid (500ml)			
38	Giemsa stain powder (10gm)			
39	Leishman stain powder (500 gm)			
40	Methanol (acetone free)			
41	Drabkin solution (5L)			
42	EDTA powder (500gm)			
43	RBC diluting fluid			
44	WBC diluting fluid			
45	Platelet diluting fluid			
46	Reticulocyte counting fluid			
47	ESR solution (500ml)			

Clinical Pathology Laboratory

S. NO	Item	Unit			
1	Multi strips (10 items test)	100 strips/bot (bottle)			
2	Combi strips (4 item test)	100 strips/bot (bottle)			
3	Uro strips (2 item test)	100 strips/bot (bottle)			
4	Bendict's reagent	1000ml/ bot			
5	Ehrlich's reagent	1000ml/bot			
6	Fouchet reagent	1000ml/ bot			
7	Sodium acetate				
8	Sulphur powder	500gm/bot			
9	Ether	500ml/ bot			
10	Chloroform	500ml/ bot			
11	Hydrochloric acid	1000ml/ bot			
12	Glacial acetic acid	1000ml/ bot			
13	Mercuric oxide red	25g/bot			
14	Barium chloride	500ml/ bot			
15	Normal saline	450ml/bot			
16	TCA solution	500ml/bot			
17	Ammonium sulphate	500gm/bot			

18	Sulphosalicylic acid	500ml/bot			
19	Sodium nitropruside	500gm/bot			

Haematology Kit

1	Prothrombin time kit	
2	D. Dimer test for DIC	
3	APTT	
4	Non-specific esterase cytochemical kit	
5	Specific chloroacetate esterase cytochemical	
6	Myeloperoxidase staining kit	
7	Acid phosphatase kit	

8 ESR Tube Disposable

Chopping plate (Big size)	each		
BP blade handle (scalpel) for fitting 21 No blade	each		
BP Blade size 21	each		
Surgical Paper Tape 2"	Roll		
Transparent surgical tape 2"	Each		
Disp. Spinal Needle B.D 22G	each		
Disp. Spinal Needle B.D 23G	each		
Cuvette material(Quartz) for colorimeter estimation			
Balance to measure gross specimen(upto 500g)	each		
Nail cleaning brush	each		
TISSUE CAPSULE (small)	Each		
TISSUE CAPSULES (large)	Each		
Sputum cup plastic with lid	each		
Lint Cloth	kg		
Balance, chemicals with weights	each		
Balance for weighing organs with weights	each		
Weighing machine for weighing cadaver	each		
Cell counters nine keys (for DLC)	each		
Laboratory stirrer	each		
Drill for boring glass	each		
Urinometer	each		
Albuminometers: Esbachs	each		
Hemocytometer with RBC&WBC pipette	each		
Sahli's haemoglobinometer	Each		
Spectrophotometer			
Liver biopsy needle	each		
Bone marrow aspiration needle (adult)	each		
Bone marrow aspiration needle (child)	each		
Bone marrow trephine biopsy needle (child)	each		
Bone marrow trephine biopsy needle (adult)	each		
Lumbar Puncture needle	each		
WHATMANN Filter Paper No.1sheets	100 nos.		
Filter Paper Round 12.5 cm dia No.40	Pkt.		
FILTER PAPER ORDINARY	Each		

Microslides

(50pcs/pack)

Microslide coverglass

(thinner;50x22mm)50

pcs/10gm

Microslide coverglass

(18x18mm

Lancet disposable

(200/pack)
Autodispensor (5ml)
Micropipette (20cc)
Micropipette (variable-
20to 50cc)
RBC pipette
WBC pipette
Hb pipette
ESR Stand
ESR Tube

Group-B

SURGICAL CONSUMABLE & INSTRUMENTS FOR ALL SURGICAL UNITS AND DIALYSIS

Department of Nephrology/Dialysis/KTU

- 1 Single Lumen Femoral Catheter :- 14G (Imported Teflon Radiopaque with Lock I.D 0.070" or 1.8 mtrs.OD-0.106" or 2.7 mm,Length 6" or 10"
- 2 Double Lumen Femoral Catheter ; - 12 Fr x 6" (16cm) Radiopaque, Pilyurethane.
- 3 Guide Wire;- Flexible tip spring guide wire type- straight, size- 0.035 " or 9 mm Length- 70cm
- 4 PD (Peritoneal Dialysis) Catheter;- Adult and Pediatric size.
- 5 Resuscitation kit;- complete set
- 6 Incubator;- 37 degree C
- 7 Endo Tracheal tube ; - Adult and Pediatric size
- 8 Oro Pharyngeal Air way.
- 9 Laryngeal Forceps
- 10 Renal Biopsy gun;- 16G, 18G
- 11 Medicate 16G
- 12 Hydrogen Peroxide 20 vol.
- 13 Citric Acid
- 14 Sodium hypochlorite 4 %
- 15 Oxalic Acid (crystal)
- 16 Normal Saline solution
- 17 Beta dine solution
- 18 Fistula needle;- 16G
- 19 Leucoplast 2"x5m
- 20 Micropore 2"
- 21 Surgical Blade;- 11 no.
- 22 Dextrose Solution (50%)100 ml Bottle
- 23 Peritoneal Dialysis fluid;- 1 lit, 1.5 lit and 2.0 lit bag.
- 24 Heamodialysis concentrate fluid (10 lit) Bicarbonate and Acctate.
- 25 Artificial Dialyzer;- Low flux (size)-0.65m,0.90m,1.0m,1.2m& 1.5mz
- 26 Injection Heparine;- 25,000 unit vial
- 27 Low molecular weight Heparin (LMWH) Prefilled syringe
- 28 I V SET
- 29 B T set
- 30 Xylocane solution 2%
- 31 Common salt (Crystal)
- 32 Cidex 2.5-3.0% 5 lit jar

CONSUMABLES FOR ENDOSCOPY&, ERCP

S.No.	Name of the items
1.	Sphincterotome – triple lumen, precurved pull type, wire guided (0.035”) short nose (7-10 mm) monofilament wire, cutting wire length 20/2530 mm with/without insulated coating on proximal part of wire,
2.	Sphincterotome- double lumen, wire guided catheter size approx. 4-5 Fr
3.	Needle knife sphincterotome- triple lumen wire guided(0.035) needle size 3-5 mm
4.	ERCP cannula- double lumen wire guided (0.035/0.025) radio opaque tip, tapered tip/metal tip catheter size 5-6 Fr
5.	Guide wire- 0.018/0.021/0.025/0.035 480 cm zebra type straight/precurved/stiffwire
6.	Guide wire- 0.021/0.025/0.035 480 cm hydrophilic distal tip straight/precurved
7.	Guide wire- 0.021/0.025/0.035 480/260 cm fully hydrophilic straight/precurved
8.	Extractor balloon-triple lumen wire guided(0.035) with variable balloon diameter 9-12/12-15/15-18 mm
9.	Biliary extraction basket 4 wire double lumen various sizes diameter 1.5,2.0,2.5,3.0 cm & length 3.0,4.0,5.0,6.0 cm
10.	Mechanical Lithotripter double sheath stainless steel & Teflon basket diameter 22,25,30,35 cm((for through the scope USE)
11.	Pancreatic stoneextraction basket diameter 0.5 cm
12.	Nasobiliary drainage catheter 250cm diameter 5-7 Fr multiple side holes, pigtail tip
13.	Nasopancreatic drainage catheter 250 cm length diameter 5 Fr straight tip
14.	Biliary dilatation catheter wire guided (0.035) 200 cm various sizes 5/6/7/8.5/9/10/11.5 Fr
15.	Biliary balloon dilatation catheter wire guided (0.035) 180 cm balloon length 3 cm various sizes 12/18/24/30 Fr. With compatible inflation device
16.	Multi band variceal ligator standard size with at least 6 bands
17.	EST needle 21/23/25 G needle tip 4-6 mm length 200-240cm Wire guided plastic esophageal/pygric/color dilator set various sizes 15/18/21/24/27/30/33/36/39/42/45/48/51/54/57/60 Fr with compatible guide wires, etc and carrying case
18.	Esophageal balloon dilator various sizes 18/24/30/42/48/54/60 Fr wire guided/non wire guided with compatible inflation device
19.	Pyloric/Colonic balloon dilator various sizes 18/24/30/42/48/54/60 Fr wire guided/non wire guided with compatible inflation device
20.	Esophageal/Pyloric/Colonic wire guided variable inflation balloon dilators various sizes 18-21-24/24-27-30/30-33-36/36-40.5-45/45-49.5-54/54-57-60 Fr with compatible inflation device
21.	Achalasia balloon dilator diameter 30/35mm length 8 cm wire guided (0.035) with compatible inflation device
22.	Pancreatic plastic stents 3/4/5/6/7 Fr
23.	Rat tooth foreign body forceps
24.	Biopsy forceps with central spike compatible with Olympus GIF 130 UGI video endoscope
25.	Cleaning Brush for Olympus GIF 130 UGI video endoscope & Olympus TJF 130 video side viewing endoscope
26.	Biliary Self-expanding metallic stent covered/uncovered various sizes 6/8/10 mm length 4/6/8/10 cm
27.	Esophageal Self-expanding metallic stent covered / uncovered flange diameter 18/20/23 mm length 8/10/12/15 cm
28.	Colonic Self-expanding metallic stent covered/uncovered diameter 20/22/25mm with flange length 4/6/8/10/12cm
29.	Duodenal Self-expanding metallic stent covered/uncovered diameter 20/22 mm length6/9/12 cm
30.	Tru Cut Biosy Needle(18G,15mm)
31.	Platinum Tipped Guide Wire (4Metr)
32.	Complete set for Endoscopic Biliary Stenting. For 7F stent
33.	

GENERAL SURGICAL items & INSTRUMENT

<u>Sl.No.</u>	<u>Name of Item</u>
1	.Urine Bag (Sample Essential)
2	Bed Pan: Enamel, steel, S S, Plastic (Sample Must)
3-	Urine Pan (Male/Female)-Enamel, S.S., Plastic (Sample Must)
4-	Surgical Blade No. 10, 11, 12, 15, 20, 22, 23, 24 (Sample Must))
5-	Kidney Tray –S.S., (Sample Must)(Different size)
6-	Cidex Tray, Large/ Medium/ Small
7-	S S Bowl
8-	Weighing Machine with detail specification- Digital
9-	Dressing Drum:- S.S Steel Jointless 9" x9", 11" x 9", 12" x 10", 15" x 12"
10-	Rubber Sheet: Duck Back / Other Std. Product
11-	Thermometer (hicks)
12-	Scissors ST –7'Sample required
13-	Tray S.S.-12 x 10', 15 x 11', 17 x 17' Sample required.
14-	Surgeon Apron (Plastic Synthetic) with sample
15-	Container for Chattel Forceps
16-	Bottle Brush sample required
17-	Dirty Linen Bag
18-	Intra Cardiac Needle
19-	Tortniquet
20-	Rubber Tube
21-	Bed Pan Rack
22-	Taphaline Speculum (S.S.)
23-	Nursing Tray.
24-	Trocar Cannula Small, Medium, Large
25-	Suture needle curved/ cutting / ST cutting
26-	Desmus lid reactor.
27-	Puncture dilator
28-	Tonometer Schiote
29-	Slit lamp
30-	MC Pheveson forceps
31-	Suture type forceps.
32-	Wire Speculum
33-	Epilation forceps.
34-	Tommy scissors.
35-	Tommy Syn.
36-	Cut down canula
37-	Clip removal
38-	Atomizer (Local Spray)
39-	Wisimok
40-	Catherization set
41-	B.P Blade with size
42-	Suction catheter No- 6,8,10,12,14,16,18,
43-	Dressing set
44-	Artery forceps Straight / Curved
45-	Laryngeal Forceps.
46-	Stillet (wire Tipe)
47-	Plastic Array different size
48-	Irrigation set With Connector
49-	Boiler
50-	Probe set
51-	Malicot drain size 18,22,24,28,30,32
52-	suction catheter
53-	tournquite
54-	trocar canula medium
55-	vaginal speculum plastic airway
56-	tomy syringe
57-	Aceptic syringe

Urology deptt.

1	2 set of TURP /cystoscopy/PCNL/URS instrument			
2	Surgical diathermy for bioplor ,sline –turp			
3	Operating surgical instruments & Endourological instrumenmt accessories			
4	Opeating loops			
5	Suurgical diatyhermy unit with facility;- <ul style="list-style-type: none"> - Monopolar cut/coagulating - - Bioplar –cut/coag - - vessel sealing(6-8mm) 			
6	Urological operation tablr			
7	Dual intra corporial lithotripter			
8	URS equipment 6/7.5 fr and 8/9.8fr			
9	Universal nephroscope for PCNL 24-26FR			
10	Accessories for Pcnl (1) Alken canula, metallic telescopic			
11	Ureteroscope -7to9f Nephroscope-24f& 19f			

Obs& Gyne Ot Instruments.

Spong holder
Kochers clamp
Needle holder
Scissors straigfht, curve
Artery forceps
Allis forceps
Toothed dissecting forceps
Perineal sheet
Outlet forceps
ventouse
Baby warmer
Sims speculum
Longallis forceps
Oveums forceps
Cervical dalatyors
curette
Plain rubber cathetor
MVA set
B P handle
Curvecd /straight Artery forceps
Green armetetage forceps
Plain dissecting forceps
Scissor Mayos 6.5” Str/Cvd
Scissor Mayos 7.5” Str/Cvd
Scissor Mayos 8.5” Str/Cvd
Scissor Fine 6.5” Str/Cvd
Scissor Fine 7.5” Str/Cvd
Scissor Fine 8.5” Str/Cvd
Epistomy Scissors
Dissecting Forceps Tooth/Plain 6”
BP Handle No.- 3 & 4
Kockers Clamp 8” Artery Type

Volsellum
Doyens Retractor
Kidney Tray 10" Hospito
Sterilizer Machine Electric SS Body
MVA Syring
D & C Set Best Quality
Abdominal Retractor
OT Light (Reputed manufacturer may quote their own make & Modeland specification)
OT Table(Reputed manufacturer may quote their own make and model and specification)
Light Source(Reputed manufacturer may quote their own make and model and specification))
Baby Warmer
Labour Table
CTG Machine (Reputed manufacturer may quote their own make and model and specification)
Baby tray (/big/Stad. Size)
Anterior abd. wall
Myomectomy clamp
Doyens rectractor
Punch biosy forceps
Mosquito arery forceps
Babcocks clamps

Neurology(Clinical Neurophysiology Lab)

- 01 Acetone
02. EEG Paste
03. Electrode Jelly
04. ECG Jelly (Sigma Jel)
05. Nuprep skin prepping gel
06. Normal Saline
07. Insulin syringe
08. Tuberculin Syringe
09. CD, CD case
10. EEG Paper
11. EEG Cup electrode
12. Connectric EEG Needle
13. Monopolar EEG Needle
14. Ring Electrode Different size
- 15 EEG/NCV jel Sigma gel

I.C.U

1. Laminar Air Flow
2. Automated I.C.U Bed
3. Noninvasive Cardio output Monitor
4. Portable Spirometer
5. Transport Ventilator
6. Resuscitation Kit
7. PCA pump
8. Air Purifier
9. Temporary pacemaker with disportable
- 10 Shadowless Cold light on stand
11. Blood Fluid Warmer
12. Sterilium Hand wash
- 13 Examination Gloves disposable(plastic) size-6,7
14. Suction catheter with thumb control- PVC disposable –different size
15. Oxygen mask,Oxygen nasal prong
16. Ventimask
17. Silicon resuscimtor bag-Adult & Paediatric
18. Oxygen mask with reservoir
19. Percutaneous transtomy Kit (disposable)
20. Disposable cap,mask,shoe cover
21. Disposable gown
22. Vegetable based lubricant jelly

23. Micropore,Durapore,Eletroplast, transparent dressing ,Leucoplast
24 High pressure extension tubing
25. Pressure transducer (disposable) for invasive monitoring along with interface(cord)compitable with different manufacturers
26. I.V Canula (different size),I.V Set. B.T.Set,Paediatic set,Syring(different size) -imported Central Venous catheter, L F Needle
, 27. Strips for Gluc ometer

Cardiology deptt.

- 1:- **ECG Jely/** Ultra Sound Jelly
- 2:-TMT Paper
- 3:-**ECG Page writer paper**
4. **ECG Roll**

“GROUP-“C”

(CHEMICAL, CONSUMABLES, INSTRUMENTS FOR O.T. AND ANAESTHESIA)

Sl.No. Name of the Item

CHEMICAL

Gluteraldehyde :-

2.45 % W/V alkaline Gluteraldehyde with a powder activator free from surfactant US FDA And EPA approved 5 Lit. Jar

Cidex

SKIN DISINFECTANT:- 7.5% v/v chlorhexidine Glunconate solution IP, 15% W/V Cetramide in a liquied base Containing N-Propyl Alcohol, Benzyl, Benzoate and Terpineol

SURGICAL HAND WASH:- 4% Chlorhexidine Glunconate in none – Ionic Surfactant base containing Emollieantes and Moisturisers., PH 5-6 with P- Chloroaniline < 100 PPM.-500ml pack

Terminal and Ariel Disinfectant, Stabilized Hydrogen Peroxide 11% W/V with 0.01% W/V Silver Nitrate solution in concentrate form-

Antiseptic Skin preparation – 1% W/V Available Iodine in Nonoxynol Iodine surfactant base with sodium Iodide (10% Iodine)-

Formalin Tablet

DETTOL 5% ML:- (Hospital Pack)

LYSOL

TINCTURE BENZOIN

CARBOLIC ACID

E.C. Solution

Formalin , 5 Lt. Hospital supply

Surgical Spirit

Effervesunt Disirtifectorant tablet (Sodium Dichloroisocyanwrt Tab)

Non soap Hygienic hand wash lotion (Baktolin 5.5)

Providone Iodine solution 5% and 10% W/V

Sterilium

Savlon

Betadine

ANAESTHESIA CONSUMABLE

1. Halothane – 250 ml bottle
2. Isoflurane - 100ml
3. Xylocaine Jelly/ Vegetable besed Jelly
4. Soda lime

	<u>Composition</u>	<u>Pack Size</u>
Hand rub/hand Care disinfectants	2.5% v/v chlorohexidine gloucote Sol.+ 0.5 triclosan+50% v/visopropyl Alcohaol+ 25%v/v n-propanal+skin emollients+perfume	500 ml 5000 ml
Surface & environment disinfectants	0.01% w/v silver nitrate ip+10% w/v hydrogen peroxide IP	1000 ml 5000 ml
	3% w/v phmb (poly hexamethylene biguanide hydrochloride) + 10% w/v Di Decyl dimethyl ammoniam chloride	1000 ml 5000 ml
Instrument disinfectants	2.45% w/v glutaraldehyde + corrosion inhibitors + testing strip	5000 ml
	3% w/v/ poly hexamethylene biguanide Hydrochloride (phmb) + 10% w/v didecyl dimethyl ammoniam chloride (aldehyde free)	250 ml
Linen disinfectants	5% w/v didecyl dimethyl amoniam chloride	500 ml 5000 ml
Antiseptics & skin Preparation	2.5% w/v Chlorhexidine gluconate sol+63% v/v isopropyl alcohol	500 ml
	1% phmb (poly hexamethyline biogunide hydrocholoride +perfume	500 ml
Rust removenl (High Effiency	30% phosphoric acid	1000 ml
Anteseptic surgical scrub solution	20% v/v chlorhexidine gluconat solution ip equivalent to 4% chlorhexidine gluconate + non- ionic surfactants + perfume	500 ml 5000 ml
Clenzyme (multienzyme cleaner for surgical and ental instruments)	12% v/v enzyme (protesases + llipases+amylases + non=-ionic surfactants	1000ml

O. T ITEMS

Adhesive tape: 2", 3", 4", and 6" sample required.

Adhesive paper tape: 2", 3", 4" & 6"

Absorbent Cotton 400 GM Net - (With Sample essential)

Starch Free Gauze Than: Size-90cm x 18 M 33 & 42 TPI (With Sample)

Disposable Syringe With Needle No. ISI Mark 2 CC, 5 CC, 10 CC, 20 CC, 30 CC, 50 CC, 60CC, (With Sample)

Glove: Disposable Steriles Surgical latex Gloves -Size-6", 6 1/2", 7", 7 1/2", 8" (With Sample)

Examination Gloves Disposable Plastic

Power free sterile surgical latex gloves for ophthalmic surgery

Surgeon Apron (Plastic Synthetic) With sample.

Surgical disposable Gown

Surgical Surgeon Cap, single size for all users. (disposable)

Disposable surgeon mask, 3 ply with filter

Autoclave Indicator tap.

.Nebulizer (Branded Company)

ANAESTHESIA EQUIPMENT

1. Suction Machine -General and Heavy Duty (Electrically Operated)

2. Micro jet Fogger- (Micro jet fogger machine for Ecoshield diluted Solution.)

3. Motor 1.55HP, 240 V 3.5A Liquid Flow rate -35-50ml - /Min.

4. Tank capacity 5 Lit.

5. Fogging nozzle high share, coner - rotating cyclonic design

6. Laryngoscope Bulb

7. Oxygen Flow Meter (F.A) Good quality ISI Mark

8. Oxygen key for A -type and B -type cylinders

9. Flexo Metallic Tube - No.20-36

10. RAE Tube -7.0, 7.5, 8.0, 8.5, (North pole, South pole.)

11. Gum Elastic Bouque

12. MC- Coy Laryngoscope

13. Ambu Bag-ADULT and PED (Silicon)

14. Face Mask 0-4 size. (Black rubber and silicon)

15. Pulse Oxymeter. (Hand Model)- (Pulse Rate Spo2)

16. Nerve Stimulator

17. Volumetric infusion pump

18. Endotracheal tube (cuffed) conforming to F-29 Standards sizes: 5.0mm to 10.0 mm bore

19. Endotracheal Tube (plain) sizes: 2.0mm to 5.0mm bore

20. Endotracheal tube incorporating addinomal lumen for Drainage

21. Tracheostomy tube : (plain) sterile packed with 15mm connector at terminal end size 4.0 to 10.0mm

22. Tracheostomy tube (cuffed) presteri & Packed (different sizes) 7.0, 7.5, 8.0, 8.5

23. Hi-Lo Jet Tracheal tube

24. Combitube (oesophogial / Tracheal double lumen airway)

25. Catheter mount 22mm standard female connector compatible with all breathing and ventilator circuits. Corrugated tubing should be inert to all anaesthetic gases and reagents.

26. Guedel airways - should be made of non-toxic, non irritant polymint sterile ready to use. Size :000, 00, 0, 1, 2, 3, 4, and 5.5, 5.0, 5.5, 6.0

27. Nosopharyngeal airway. Sterile ready to use. Size 6.5, 7.0, 7.5, 8.0, 8.5mm

Tracheal tube restraint

28. Scalp vein set - Butterfly shaped wings. Short berlled siliconised needle. Colour coding of Butterfly wings for indentification of sizes. Sterile individnally packed. Size 18, 19, 20, 21, 22, 23, 24 and 25 NG.

29. CVP manometer: Suitable for continuous or intermittent monitoring of central various pressme in ICU, CCU, theatres and casualty departments. It should be provide with

High low pressure gange with conncceting tube

30. Kinkresistant FEP Teflon I.V. Cannula with injection port - sterile and Blister packed Size - 16, 18, 20, 22, and 24

31. Pacdiatric I.V. cannula (without injection port) Size- 24G

32. Three way stop cock.

33. Small bore high pressure extension line for high pressure monitoring and for connccetion between syringe infusion pump and patient . Length- 50c.m to 200 cm, prime Volum - 0.45ml to 1.80ml

34. Transparent PE Tape.

35. Digital blood presume monitor

36. Electronic weighing scale.

37. Thermometer Digital.

38. Oxygen Cylinder-A and B- Type .
39. Oxygen Cylinder- Bulk .
40. Nitrous Oxide Cylinder A and B Type .
41. Nitrous Oxide – Bulk
42. Co2 cylinder B type Bulk .
43. Oxygen Mox Regulator, Pin Index Type , For B Type Cylinder
44. Oxygen Flow Meter with regulator ISI mark
45. E.C.G. Machine with rechargeable battery
46. Ambu bag with recession kit
47. Stream Indicator Tape (External Chemical Indicator)
- 48 Suction machine
- 49 Macintosh blades(English profile) Size 00 to 5
- 50 Oxiport Macintosh Blades Size 1 to 4
51. Robertshaw Blades Size 0 to 1
52. Lamp 5/32 BSW THREADED, 3V DC
53. Pouch for laryngoscope set
54. Howland Lock
55. Standard Handle
56. Accept two size “c” 1.5 V cell 56 Penlite Handle Accept to size “c” 1.5 V cell
57. Stubby handle Accep two size “c” 1.5 V cell
58. SAM (sanjivani airway mask)-disposable Size2.5 , 3 , 3.5, 4, 4.5, 5,
- 59 Nasopharyngeal silicon rubber airway size-4mm to 9mm
60. Dr. TALWARKAR'S FIBERLITE STYLET &HANDLE
- 61 Malleable stylet
62. Dr. TALWARKAR'S Bougie
63. Endotracheal tube learning brushes
- 64 Magill forcep size adult to infant
- 65 Micro laryngeal PVCsize- 4mm to 6 mm
- 66 Double lumen bronchial left sided PVC tubeSIZE 26 to 41
- 67 Double lumen Bronchial Right sided PVC tubeSIZE 26 to 41
- 68 LMA -Disposable Size: 1,1.5, 2, 2.5, 3, 3.5 ,4,5
- 69 .Breathing Circuit-Neonate
70. agill Semi-open Circuits
- 71 agill closed circuit
- 72 Flexible Catheter Mount
- 73 Snuggy Face Mask silicon size infant to large adult
- 73 Circular Paed. size premature to child
- 74 breathing Bag Black size 0.5 lit to 3 lit
- 75.reathing Bag Green size 0.5 lit to 3 lit
- 76 Oxygen mask with nebulizer (disposable)
- 77 Jet ventilator for bronchoscopy
- 78 Rao's twin gauge oxygen regulator
- 79 Epidural set (Pre sterilize / Epidural Needle/ Epidural Catheter)
80. Spinal niddle / Pre sterilize. size 20G to 29G
- 81 Stethoscope
- 82 Innsulin syringe
83. Tracheostomy kit
- 84 Central venues catheter (Single Luna).
- 85 Central venues catheter(Double Luna)
- 86 Central venues catheter(Triple Luna)
- 87 eripherally Inserted central catheters for pang term use
88. Stethoscope
89. Steel Bowl
90. B.P Instrument
91. Laryngoscope set Cmparising one handle, 4 blades and cell lamp
92. Mc Coy Laryngoscope set comparizing one handle, 2 blade size 2&4
- 93.Glucometer
- 94 Imported Ambubag adult and pediatric silicon.
- 95 Brain Curcuit.
- 96- OT table
- 97 OT Light
- 98 Obs& Gyne Table
- 99 Air Matress
100. . Crash Cart

- .101 Multipara monitor with central station for recovery
- 102 Syring Infusion pump
- 103 Bair Hugger patient warmer
- 104 Patient Mobiliser
- 105 Transport ventilator
- 106 Defibrillator with ECG,spo2,NIBP
- 107 Light sources
- 108 Safety IV canula-all sizes
- 109 Plasma volume replacement product
- 110 Anaesthetic Drugs.
- 111 Central venous catheter;- triple lumen size; 16/18/18G made poly. Length 15/20 cm catheter kit

(Firm may be quote their own specification if specification is not mentioned.)

Narcotic drugs

Tablet Morphine Sulphate ,(Immediate release)
Tablet Morphine Sulphate, (Sustained release)
Inj. Morphine Sulphate (
Inj. Fentanyl citrate
Injection. Naloxone

I.C.U



- 1. Resuscitation Kit
- 2. PCA pump
- 3. Air Purifier
- 4. Temporary pacemaker with disportable
- 5. Shadowless Cold light on stand
- 6. Blood Fluid Warmer
- 7. Sterilium Hand wash
- 8 Examination Gloves disposable(plastic) size-6,7
- 9. Suction catheter with thumb control- PVC disposable –different size
- 10. Oxygen mask,Oxygen nasal prong
- 11. Ventimask
- 12. Silicon resuscimator bag-Adult & Paediatric
- 13. Oxygen mask with reservoir
- 14. Percutaneous transtomy Kit (disposable)
- 15. Disposable cap,mask,shoe cover
- 16. Disposable gown
- 17. Vegetable based lubricant jelly
- 18. Micropore,Durapore,Electroplast, transparent dressing ,Leucoplast
- 19 High pressure extension tubing
- 20. Pressure transducer (disposable) for invasive monitoring along with interface(cord)compatible with different manufacturers
- 21. I.V Canula (different size),I.V Set. B.T.Set,Paediatric set,Syring(different size) - imported Central Venous catheter, L F Needle
- 22. Strips for Glucometer

GROUP-“D”


OFFICE FURNITURE & HOSPITAL FURNITURE

OFFICE FURNITURE

Sl. No	Name of Item	Specifications
1	2	3
1.	Steel Almira	 <p>High grade steel almirah with size 1980mm (H) x 910mm (W) x 480mm (D) with adjustable shelf and one locker. Front & Side 20G Back 22G</p>
2.	Steel Rack	Size-06"x36"x15" with six shelves with spray painting GCR sheet.
3.	Full Secretariat Table	Size-72"x36"x29" Prelaminated board, 3 shelves in left side one box right side.
4.	Half Secretariat Table	Size-54"x24"x29" , " Prelaminated board 3 Shelves in right side.
5.	Stool (Steel)	Size: 1 ½' x1 ½' x1'
6.	Stool (PVC / Plastic)	Size: 1 ½'x1 ½' x1'
7.	Tubular Chair	Steel Full Arm Tubular Chair with cushion seats and back 16 G. Superior Quality
8.	Visitor Chair	 <ul style="list-style-type: none"> ▪ gauge M.S. Pipe with chrome coating for under structure ▪ 12mm thick hot pressed molded seat & back plywood ▪ Polyurethane seat & back foam in black colour with PU Leather upholstery
9.	Executive Table	 <ul style="list-style-type: none"> ▪ 30 & 18mm MDF enter particle board with 3D Melamine Veneer Finish

		<ul style="list-style-type: none"> ▪ Table Top to be strengthened with 25mm aluminum profile ▪ Front Elevation provided with Anodized Aluminum profiles with telescope Draw Slides ▪ Size : 1600W x 900D x 750H MM ▪ Pedestal : 3 Draws with 3 in 1 way technology
10.	Side Runner	 <ul style="list-style-type: none"> ▪ 30 & 18mm MDF enter particle board with 3D Melamine Veneer Finish ▪ Keyboard Draw, CPU Slot with 2 openable Doors ▪ Size : 1400W x 375D x 750H MM
11.	Officer's Executive Chair	<ul style="list-style-type: none"> ▪ SS Base with Nylon Twin Castors ▪ Auto Seat height Adjustable ▪ Multi locking Knee Tilt Mechanism ▪ Polyurethane seat foam with Nylon Mesh fabric ▪ Nylon Adjustable Arm Pads ▪ Nylon Net for back with Lumber support adjustable ▪ Multi position Head rest adjustment
12.	Staff Table	 <ul style="list-style-type: none"> ▪ 25mm thick HDF Board with melamine Laminate ▪ Keyboard Tray & CPU Trolley ▪ Size : 1200W x 600D x 750H MM
13.	Staff Chair	 <ul style="list-style-type: none"> ▪ Heavy Chrome Base with Nylon Twin castors ▪ Auto seat height adjustable ▪ Single Locking Tilting Mechanism ▪ Polyurethane Seat foam with Mesh Fabric ▪ Nylon Net for back with ABS ▪ Nylon fixed Armrest

HOSPITAL FURNITURE

Sl. No 1	Name of Item 2	Specifications 3
1	ICU BEDS ELECTRICALLY OPERABLE	RUST PROOF ELECTRICALLY OPERABLE TUCK AWAY OR SLIDING SIDERAILS , FOUR SECTION MATTRESS BASE, WATER PROOF, 12CM THICK MATTRESS, SUITABLE TABLE AT FOOT END WHICH CAN COME OVER THE BED AND A CABINET AT HEAD END FOR KEEPING PATIENTS CHARTS AND MEDICINES, APPROPRIATE STOOL FOR PATIENTS ATTENDANT, DETACHABLE BED END, FACILITY FOR TRENDELENBERG AND ANTI TRENDELENBERG POSITION.
2.	ICU BEDS MANUAL OPERABLE	RUST PROOF MANUAL OPERABLE TUCK AWAY OR SLIDING SIDERAILS , FOUR SECTION MATTRESS BASE, WATER PROOF, 12CM THICK MATTRESS, SUITABLE TABLE AT FOOT END WHICH CAN COME OVER THE BED AND A CABINET AT HEAD END FOR KEEPING PATIENTS CHARTS AND MEDICINES, APPROPRIATE STOOL FOR PATIENTS ATTENDANT, DETACHABLE BED END, FACILITY FOR TRENDELENBERG AND ANTI TRENDELENBERG POSITION.
3.	FOWLER BED WITH WHEEL WITH FOWLER MATERESS	 <ol style="list-style-type: none"> 1. Should have four sections. Top flat platform should be made of perforated 2. CRC sheet of thickness of 16G or better. 3. Bed frame must be sturdy and stable to support weight of at least 170 kg. The frame structure should be made up of at least 16 G CRC, rectangular / circular pipe of 100 mm x 30 mm. 4. Bed frame mounted on trolley base made up of 100mmx30mm CR C rectangular pipe of 16 gauge. 5. All adjustments for fowler position must be obtained from crank shaft, manually operated with stainless steel/ABS foldable handle on both the shaft. 6. The finished bed must be rust proof, pretreated and polished Stainless Steel. 7. The bed should have telescopic side rails of stainless steel of 22 Gauge with spring loaded locking arrangement on both sides. 8. Should have easily removable head and foot panels made up of ABS plastic. 9. Fowler bed should be of following dimension: Mattress area of Length 2000 to 2010 mm X Width 900 to 1000mm Height: - 500 to 550mm (without mattress)

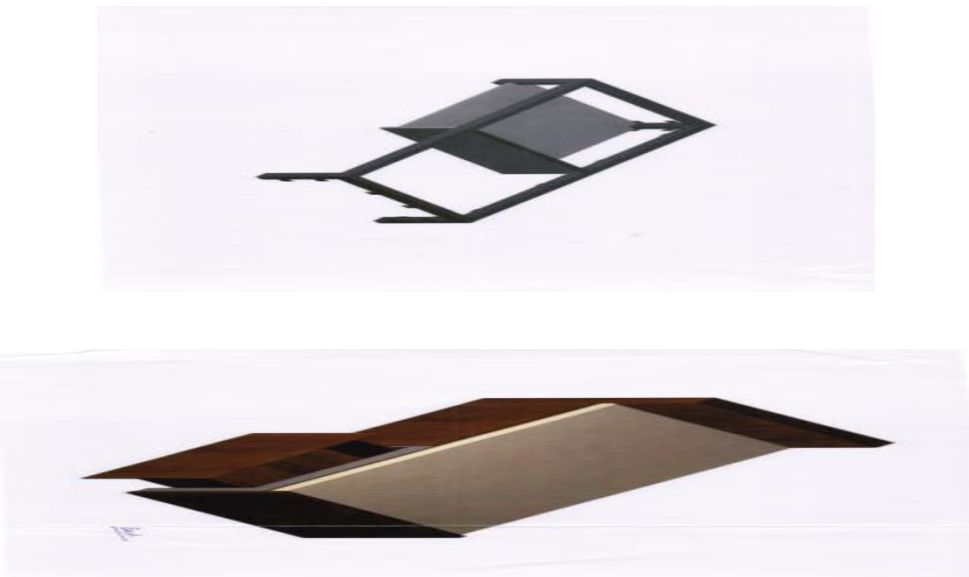
		<p>10. Should have strong & good quality single wheeled total locking type Swivel Castors of 125 to 150 mm diameter with breaks on all four castors for stabilized position.</p> <p>11. There should be suitable buffer mechanism to avoid hitting of the bed to the wall from all sides.</p> <p>12. Should have provision of fixing suitable rod for hanging intravenous / irrigation fluid bottle on both sides at head end and foot end. Each bed should be supplied with 1 no. good quality I. V. rod.</p> <p>13. Should have hooks on bed frame on both side for holding urine / drainage bag (at least 2 Nos. on each side). Hooks should be in-turned to prevent injury to bystander.</p> <p>MATTRESS</p> <p>Mattress to be four sectional and to be combination of good quality foam and coir layer.</p> <p>DIMENSIONS: Exactly fitting to the Bed, 4 inch thick.</p>
4.	PATIENT SEMI-FOWLER BED WITH WHEEL WITH SEMI-FOWLER MATERESS	METALIC, HARD BED, ADJUSTABLE HEAD END, WITH ATTACHMENT FOR IV LINE, STURDY WHHEELS- DIAMETER 6 INCHES OR MORE WITH LOCKS, WITH NON PLASTIC WATERPROOF MATERIAL COVERED DURABLE MATERESS, ,-12 CM THICK
5.	PATIENT BED WITH MATERESS	METALIC, HARD BED, ADJUSTABLE HEAD END, WITH ATTACHMENT FOR IV LINE, STURDY WHHEELS- DIAMETER 6 INCHES OR MORE WITH LOCKS, WITH NON PLASTIC WATERPROOF MATERIAL COVERED DURABLE MATERESS, 12 CM THICK
6.	Examination Couch SS with Mattress	 <ol style="list-style-type: none"> 1. Constructed from round polished SS Pipes 2. Fully adjustable headrest. Top of Polished SS Sheet. 3. Top is upholstered and covered with washable plastic material 4. Legs fitted with thick high quality nylon gromets. 5. 5 cm 50PU density foam cushioned top covered with leathered Rexene of 2mm thickness 6. Top dimensions – L = 72inch X W=24inch Ht of – 32 inch 7. All the Stainless Steel should be seamless conforming to 304 grade/ 16 gauge and polished finished
7.	S S BED SIDE LOCKER	<ul style="list-style-type: none"> • Overall approximate size: 400 mm x 400 mm x 820 mm • Body consisting of 2 sides and back is made from one piece, made of 20 G SS sheet • Top shall be fitted with superimposed stainless steel sheet with raised edges on

		<p>three sides</p> <ul style="list-style-type: none"> • One drawer is provided below the top, of size 100 mm H x 350 mm W x 390 mm D approximately, fitted with smooth slides • Under the drawer is an open storage space and below it is a closed door cabinet • Door of the cabinet box is pivoted at top and bottom • Base of the drawer is fitted with castors of wheel diameter 50 mm, all without brake • Two buffers shall be provided at rear side of the locker box <p>All SS to be of 304 grade/gauge</p>
8.	INSTRUMENT TROLLEY	<p>Overall size : Size: 680mm L x 450mm W x 900mm H. Stainless steel tubular frame work made of 25.4mm OD x 18 G verticals mounted on 100 mm dia non-rustlings wiveling castor wheels two with brakes, two without brakes. Two stainless steel shelves with protective railings on three sides. Only 304 grade stainless steel should be used for trolley frame work and STAINLESS STEEL shelves.</p>
9.	CRASH CART	<p>Size 960mm L x 500mm W x 1545mm H. Frame work made of Stainless Steel tube of minimum 25mm dia. Two light weight polystyrene boxes each with three drawers, upper drawer with medicine container of different sizes. Provision to hold Oxygen cylinder and cardiac Massage Board. Six numbers colored hand out bins to keep important supplies at eye level. Two nos. Stainless Steel shelves to carry monitors, ECG Machine, suction apparatus etc. Provided with corner buffers & Rails. All stainless steel components should be of 304 quality. Crash cart should be movable on four non-rusting swivel casters of 125mm dia two with brake.</p>
10.	DRESSING TROLLEY	<p>Overall Size: 1010 mm L x 510 mm W x 900mm H welded stainless steel tubular frame work.</p> <p>Verticals of also 31.7mm OD x 18 G tube horizontal stays of 19 mm OD x 18 G tube on all four sides to support two stainless steel shelves 22 G over with 10 mm dia stainless steel railings are provided on all four sides.</p> <p>The trolley holds stainless steel bucket with STAINLESS STEEL lid at lower level and S.S. bowl at top level respectively.</p> <p>Only 304 grade stainless steel should be used for tubular frame work & STAINLESS STEEL shelves of trolley.</p> <p>The trolley should be in buff finish with 100 mm dia non –rusting swivel castors wheels two with brakes, two without brakes.</p>
11.	Medicine Trolley	<ul style="list-style-type: none"> • Two sides unit cassette and one side plate cassette • Installed multi-bin container at rear side to make easy and multi-storing possible • Multi structure, which can be used for multi proposes. • Designed push-handle and efficient structure • Total lock key compartment under the surface. • Size: 778 (L) x 488 (D) x 918 (H) minimum 781 (L) x 491 (D) x 921 (H) maximum
12.	STRETCHER TROLLEY	<p>2030mmx 560mmW x 810H mm. Frame work made of 31-75 OD mm x 1.60 mm vertical & 25 mm x 1.22 mm horizontal CRC tubes Trolley mounted on 15 cms dia castors – 2 with brakes</p> <p>Removable stretcher top made of 1.22 mm aluminium sheet with S.S. handle at both end with 25mm thick suitable rubber Mattress covered with good quality rexine.</p> <p>All mild steel components should be thoroughly pre-treated chemically to remove rust and foreign matter like Grease, Oil etc. by dip tank process pre-treatment system.</p> <p>The treated Metal Surface should have coating of Epoxy Polyester Powder with paint film thickness of 60 microns (minimum) and oven baked at 180 degree to 200 degree Centigrade to avoid contamination of the clean metal surface from</p>

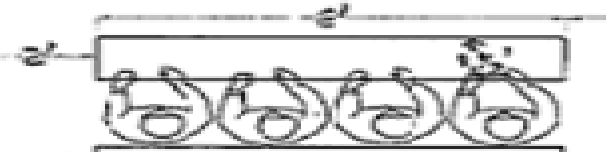

		dust particles.
13.	SALINE STAND with SS Rod (IV Stand)	Five legs Stainless Steel stable base made of 20mm x 40 mm x 18g tubes fitted with 50mm Dia non rusting Castor, STAINLESS STEEL rod with four hooks made from 304 Grade STAINLESS STEEL 10mm Rod. Working in nylon buffers. Height adjustment from 1620mm to 2340 mm.
14.	REVOLVING STOOL	Overall Size: 480mm To 670mm H. Tubular tripod base of 25.4 x 14 g ERW tube. STAINLESS STEEL top. Height adjustment by screw. 300mm dia. The legs fitted with high quality PVC shoes with nylon reinforcement. All mild steel components should be thoroughly in-house pretreated chemically to remove rust, grease, oil, etc. by dip tank processes, including separate degreasing, pickling, phosphating each followed by water rinsing passivating and hot air drying to give phosphate coating. The treated metal surface should then be coated in-house with epoxy polyester powder with paint film thickness of 60 microns (minimum) and oven baked at 180 deg. to 200 deg. centigrade. All STAINLESS STEEL used should be of 304 grade.
15.	BED SIDE STOOL/All Purpose Stool	Size: 300mm square 18G double bent top of MS, Height 510mm. Framework of 25mmx 1.22 mm and horizontal support of 19 mm x 1.22 mm CRC Tube . Leg fitted with PVC Stumps. All mild steel components should be thoroughly in-house pre-treated chemically to remove rust, grease, oil, etc. by dip tank processes, including separate degreasing, pickling, phosphating each followed by Waterrinising passivating and hot air drying to give phosphate coating. The treated metal surface should then be coated in-house with epoxy polyester powder with paint film thickness of 60 microns (minimum) and oven baked at 180 deg. To 200 deg. Centigrade.
16.	Wheel Chair	Overall approx size: 670mm W x 1120mm D x 920mm H. Welded frame construction of round tubes. Two solid rubber tyred bicycle wheels with brakes & self propelling stainless steel hoops. Minimum Frame size of round steel 22.2 x 18 G tubes and 19.05 x 18 G tubes. Mild steel tubular construction fitted with cushion seat and back. Wheel chair is fitted with minimum 24” dia rim of bicycle wheel fitted on specially developed and heat treated axle with solid tyre in the rear. In the front minimum 150mm dia castor wheels are fitted. In front of castor wheels, aluminum foot paddles are provided on adjustable brackets. Two handles are provided with the hand grips. Brakes are provided on rear wheel to hold the chair to stop in 5 degree ramp. All mild steel components should be thoroughly pre-treated chemically to remove rust and foreign matter like Grease, Oil etc. by dip tank process pretreatment system. The treated Metal Surface should have coating of Epoxy Polyester Powder with paint film thickness of 60 microns (minimum) and oven baked at 180 degree to 200 degree Centigrade to avoid contamination of the clean metal surface from dust particles.
17.	Four Fold Bedside Screen	Bedside Screen Three Fold with curtain. It should be fitted with six swivel, twin wheel non-rusting castors, 50mm dia with M.S body frame. Overall approx. size: 1680mmHX2450mmW. Middle span 1210mm wide. Side spans 610mm wide each with hooks, springs and curtains. All mild steel components should be thoroughly in-house pretreated chemically to remove rust, grease, oil, etc. by dip tank processes, including separate degreasing, pickling, phosphating each followed by water rinsing passivating and hot air drying to give phosphate coating. The treated metal surface should then be coated in-house with epoxy polyester powder with paint film thickness of 60 microns (minimum) and oven baked at 180 deg. To 200 deg. Centigrade. All Stainless Steel used should be of 304 grade.


18.	Cylinder Trolley	Cylinder Trolley (Push Type) fitted with 2 castors, 100mm dia. With M.S. body frame. Suitable for 1320 ltrs. Size gas cylinders. Trolley with SS base. All mild steel components should be thoroughly in-house pretreated chemically to remove rust, grease, oil, etc. by dip tank processes, including separate degreasing, pickling, phosphating each followed by water rinsing passivating and hot air drying to give phosphate coating. The treated metal surface should then be coated in-house with epoxy polyester powder with paint film thickness of 60 microns (minimum) and oven baked at 180 deg. To 200 deg. Centigrade. All Stainless Steel used should be of 304 grade.
19.	Steel Rack	Steel Rack –Gauge : 20 Size (in mm) 915X381X2438 No. of shelves 5 Weight carriage 100 kgs.
20.	Hospital Baby Bassinet With Mattress	Stainless Steel Baby Bassinets Mattress: Width-55-60 cms; Length-65-75 cms; Thickness-at least 4 cm Material-Soft, easy to clean.
21.	INFANT BASSINET	<ul style="list-style-type: none"> • Transparent acrylic body bassinet should have head up tilting facility. • Dimension of the acrylic bassinet should have 79 cm (L) x 41cm (W) x 27cm (H) for easy to access the baby. • Should have foam mattress. • Should have 4 castors (2 no brake) • Should have storage tray. • Bassinet frame should have powder coated finishing with round pipe for easy to clean.
22.	Emergency & Recovery Trolley	<ul style="list-style-type: none"> • Sizes should be approx. 2100mm x 650mm x 650 – 950mm. • Should be attached with side railing, I.V. Stand, Storage Tray & Cylinder Cage. • Should have removable x-ray translucent top with tray for holding x-ray cassettes. • Should have adjustable height facility through hydraulic system. • Should have the facility of trendlenburg & reverse trendelenburg by pressure cylinder. • Suitable castors with two brakes & rubber buffer on all corners should be available. • Should be pre treated and epoxy powder coated.
23.	Foot Step Double(S. S.)	<ul style="list-style-type: none"> • Overall size should be approx. 450mm (L), 450mm (W), 450mm (H) • S. S. Tubular frame fitted with PVC stumps. • Stainless Steel sheet duly double press bent.
24.	Basin Stand Double (S. S.)	<ul style="list-style-type: none"> • S. S. Tubular pipe frame. • Five legs PVC base with 50mm castors. • Stainless Steel Bowels – 2 Nos. should be attached.
25.	Slide Cabinet	<p><u>Slide Cabinet Capacity: 1,00,000 Slide: Vertical Manner</u></p> <ul style="list-style-type: none"> • For keeping 75x75mm slide in vertical position one after other of steel attractive spray finish. • Cabinet having 480x75mm drawer and teasing slides in vertical position. • Drawer should move smoothly in slot and completely removal for easy lifting. • Cabinet should accommodate maximum number of slides for optimum space utilization complete with lock and key. • Warranty – One Year.
26.	Block Cabinet	<p><u>Block Cabinet Capacities: 40,000 Blocks</u></p> <ul style="list-style-type: none"> • Block Cabinet capacity 40000 block made of Mild Steel duly powder coated. • The internal drawers should made of MS duly powder coated channel drawer having 4 to 8 compartments with capacity of approx 125 blocks with embedding ring. • Index card holder and handle provided on each drawer. • With door & provided with lock & key • Warranty – One Year.


HOSTEL FURNITURE

1	2	3
S. No	Name of Item	Specifications
1.	Hostel Bed with mattress	<p>NET DIMENSION: 1905±5 mm X 915±5mm (approx)</p> <p>OVERALL DIMENSION: 945±5 mm L X 1975±5 W X 450±5 H</p> <p>Bed structure shall consist of metal frame made of power coated ms square pipe of SIZE 50MM X 50 MM having wall thickness 1.5mm. There will be two legs in the centre of the bed in addition to 4 legs at corners. Height of HEAD END FORM FLOOR shall be 800 mm X WIDTH 35 mm FOOT END HEIGHT FORM FLOOR 550 mm. Board of HEAD END AND FOOT END shall be made of 35 mm Pre-Laminated MDF Board with total edge binding (three side 2 mm and lower side 0.5 mm) PVC edge binding with EVA hot melt glue. Colour and shade of pre-laminated shall be approved. Bed fitted with POLYPROPYLENE GROMMETS. Other part of bed shall be made from 18 MM PRE LAMINATED MDF BOARD screwed in frame reinforcement on 3 section of square pipe (Reinforcement shall be of MS 18 SWG, 25 mm X 25mm attached by welding and power coated)</p> <p>The lower part of the half under storage having 18 mm pre laminated MDF board will 18 mm SWG 25mm x 25mm attached by welding and powder coated and it will have a ground clearance of 75 mm for cleaning and other half under storage with one side drawer unit side opening half length only on 4 castors made of 18 mm pre laminated MDF board and half bed box side hinged lifting cover made if 18 mm pre laminated MDF board. All hinges shall be stainless steel. Castors shall be high quality and as per approved sample.</p> <p>Rate should be quoted with and without matters.</p> <div style="text-align: center;">  </div> <p>Note: The photographs above are only indicative and the items to be supplied should be as nearer as possible to the designs and specifications provided above.</p>
2.	Hostel Bed (with out storage box)	<ul style="list-style-type: none"> • OVERALL SIZE 6'6"L x 3'.0" • FRAME MADE OF 2"x1.6" RECTENGULAR PIPE 16G THICKNESS. • LEG MADE OF 1.6" SQUARE PIPE 16G THICKNESSES. • HEAD END PANEL 15" HIGH • FOOT END PANEL 10" HIGH • TOP MADE OF 12MM WATER PROOF PLY BOARD WITH PRIMER OF GOOD QUALITY. • PAINT – EPOXY POWDER COATED FINISH.
3.	Study Table	<ul style="list-style-type: none"> • FRAME MADE OF 1.6" SQUARE PIPE 16G THICKNESS. • TOP MADE OF 12MM LAMINATED BOARD. • ONE DRAWER WITH LOCK. • SIZE 32"Hx36"Lx24"W • PAINT – SPRAY PAINT OF GOOD QUALITY AND FINISH.

4.	Study Chair	<ul style="list-style-type: none"> FRAME MADE OF 1" ROUND PIPE 16G THICKNESS WITH ARM. BOARD SEAT & BACK SUPPORT. PAINT – SPRAY PAINT OF GOOD QUALITY AND FINISH.
5.	Dining Hall (Mess) Table	<p><u>TYPE – I</u> Size- (4'-0"x3'0"x2'-6") Providing and supplying Mess Table made of 19 mm thick commercial board for Top with 1mm thick laminate on top (Greenlam/ Century/Durian/ Virgo/ Merino) wooden legs of 3"x3" supported by 3"x1.5" wooden horizontal member and vertical 2"x1.5" teak wood frame with melamine polish finish, teak wood moulding on edges also complete in all respect approved as per drawing or sample placed at site(Mess). Material make- Green ply (Eco Tech) Orchid ply, Durian, Century (Sanik), Sonear or equivalent as per site requirement and hardware of Hettich/Godrej/Hafele or equivalent. Space for two chairs. Rubber ,margin/Buffers should be provided below legs)</p> <p><u>TYPE – II</u> Dining Tables: Made of Stainless Steel of grade :202 SS of Size : length 92" to 96", width 44"to 48", height 30", Frame: four legs made of stainless steel square pipe 1 1/2". Top of SS sheet of 18 SWG. Frame under the top of 1" sq. pipe with two supports under the top. Drawing as under.</p>
6.	PIGEON HOLE ALMIRAH (Type – I)	<p>N. Product Size 380mm(Width) x450mm (Depth) x 1830mm (Height) 4 Sheets (Cam Lock) 4 Sheets (Hasp) 06 Door base unit and 06 door add on units</p> <p>2. Stackability The Add on Units can be stacked width wise to form bank of lockers having common side panels.</p> <p>3. Locking 10 Lever cam lock with lock lever. Option of hasp arrangement</p> <p>4. Material CRCA 0.6mm Thickness</p> <p>5. Construction Rigid Knockdown construction</p> <p>6. Shelf Uniformly Distributed Load Capacity for each self level is 35 Kg maximum.</p> <p>7. Finish Epoxy polyester Powder Coated to thickness of 50 microns (+/- 10)</p> <p>8. Handle / Label Holder Aesthetically appealing Snap fit ABS plastic Handle. Plastic label holder for identification</p> <p>9. Ventilation Attractive punched pattern for ventilation</p>
7.	PIGEON HOLE ALMIRAH (Type – II)	<p>Almirah Size :- 86" x 36" x 19", Locker size:- 12"x16", Gauze size:- 20, No. of Lockers:- 12 nos.</p>

8	Student Table	 <p>Size 2400mm (L) x 450mm (D) x 750mm (H) made up of 25mm thick PLPB with 2mm thick PVC edge bending and modesty panel vertical support 25mm thick PLPB with 2mm thick PVC edge bending.</p>
9.	Flap Chairs with cushion	<p>Leatherite cushion full desklet and paper tray (as shown in the diagram).</p> 

<u>LIBRARY FURNITURE</u>		
1	2	3
Sl. No	Name of Item	Specifications
1.	LIBRARY TABLE SUITABLE FOR 4 NOS. OF STUDENTS	<ul style="list-style-type: none"> • SIZE: 72”L x36”Wx22”H • FRAME – MADE OF 1 ¼” DIA SQUARE PIPE, 16G THICKNESS. • TWO NOS. OF SUPPORTPIPE IN THE FRAME OF 1” DIA • TOP MADE OF 18MM THICK PRE-LAMINATED MDF BOARD WITH 4 SECTION PARTITION OF THE TOP MADE OF 12MM MDF BOARD.  <p>Note: The photographs above are only indicative and the items to be supplied should be as nearer as possible to the designs and specifications provided above.</p>
2.	LIBRARY CHAIR FOR STUDENT	<ul style="list-style-type: none"> • FRAME MADE OF 1” DIA. • ROUND PIPE 16G THICKNESS (SS ONLY) • SEAT SHELL MADE OF WOOD.

<p>3.</p>	<p>JOURNAL DISPLAY RACK</p>	<ul style="list-style-type: none"> • SIZE 78”Hx72”Wx16”D • SUITABLE FOR DISPLAY OF 30 NOS OF BOOKS. • PROVISION FOR STORAGE OF BOOKS/JOURNAL. • MADE FO TERMITE PROOF, WATER PROOF AND FIRE PROOF ISI MARKED PLY WOOD. • FINISHED WTH GOOD QUALITY WOOD PAINT.  <p>Note: The photographs above are only indicative and the items to be supplied should be as nearer as possible to the designs and specifications provided above.</p>
<p>4.</p>	<p>LIBRARY BOOK STACKS</p>	<p><u>Library book stocks will comprise of following –</u></p> <p>Manufactured from prime quality CRCA steel (TISCO, SAIL or equivalent) having Main unit and Additional sections. The unit is manufactured using following minimum steel gauges</p> <p>Shelf 20G, Shelf Bracket 18G, End Frames 18G Fully powder coated and heat treated 60 micron fully powder coated finish.</p> <p>1. <u>Steel Book Stacks (Double Faced).</u></p> <p>Size:</p> <ol style="list-style-type: none"> 1. Main Unit – 7½ ft height x3 ft width x22 inch depth with seven shelves on each side Total 14 shelves. <p style="text-align: center;">And/or</p> <ol style="list-style-type: none"> 2. Main Unit – 7½ ft height x6 ft width x22 inch depth with seven shelves on each side Total 14 shelves. 3. Additional Unit – 7½ ft height x3 ft width x22 inch depth with seven shelves on each side Total 14 shelves. <p>B) <u>Steel Book Stacks (Single Faced).</u></p> <p>Size:</p> <ol style="list-style-type: none"> 4. Main Unit – 7½ ft height x3 ft width x11 inch depth with seven shelves <li style="text-align: center;">and/or 5. Main Unit – 7½ ft height x6 ft width x11inch depth with seven shelves 6. Additional Unit – 7½ ft height x3 ft width x11 inch depth with seven shelves

5.	STRIP CHAIR	<ul style="list-style-type: none"> • ONE SEATER DESK. • FRAME MADE OF 18G. BACKREST THE PANEL SHOULD BE MADE FROM 18MM THICK PRE-LAMINATED BOARD WITH 1MM THICK PVC EDGE BENDING ON ALL SIZE. • DIMENSIONS: 600MM(W)x720MM(D)x650MM(H) UNDER STRUCTURE TO BE MADE UP OF 25.4x25.4x125MM THICK POWDER COATED TUBES AT BASE WHICH ARE WELDED TO THE DESK AND SEAT UPPORTS THAT ARE MADE OF 1.0MM THICK POWDER COATED M.S."C" ACTION. THE TUBE IS CLOSED WITH PLASTIC CAPS. • STORAGE SHOULD BE MADE OF 0.8 MM THICK POWDER COATED M.S. SHEET BELOW DESK. • HOOKS TO BE PROVIDED AT THE EITHER SIDE OF DESK.
----	--------------------	--

Item Description

GROUP-“E” **(PRINTING OF FORMATES AND GENERAL & STATIONERIES ITEMS)** **LIST OF PRINTING ITEMS**

Sl.No	Name of the Item
1.	Printing on ¼ Size Orient Demy 7.3 Kg. -57 GSM Paper Single Side printing-Enclose Paper Sample
2.	Printing on ¼ size –Orient Demy 7.3 Kg. 57 GSM Paper-Both Side printing-Enclose Paper Sample
3.	Printing on ¼ size Sunlit Bond Paper 7.7 kg. 58 GSM Paper Single side printing-Enclose Paper Sample
4.	Printing on ¼ size Sunlit Bond Paper 7.7 kg. 58 GSM Paper both sides Printing-Enclose Paper Sample
5.	Printing on ¼ Size colour Shirpur 5.4 kg 44 GSM Paper single side printing- Enclose paper sample
6.	Printing on ¼ Size colour Shirpur 5.4 kg 44 GSM Paper both side printing- Enclose paper sample
7.	Printing on 1/8 Size Colour Shirpur 5.4Kg. 44 GSM Paper Single Side Printing-Enclose Paper sample
8.	Printing on 1/8 Size Colour Shirpur 5.4Kg. 44 GSM Paper both Side Printing-Enclose Paper sample
9.	Printing on 1/8 size Orient Demy 7.3 Kg. 57 GSM Paper Single side printing–Enclose Paper Sample
10.	Printing on 1/8 size Orient Demy 7.3 Kg. 57 GSM Paper Both side printing–Enclose Paper Sample
11.	Printing of Book-size ¼. 100x2 single side, Printing on Shirpur Paper 5.4 kg. 44 GSM Colour & White- Enclose Paper sample with Sl, No
12.	Printing on Colour Pulp Board Paper 10 kg. Gross Wt. 70 GSM Size-09x12 cm, single side printing –Enclose paper sample with Sl.No.
13.	Printing on Orient 8.5 kg. Paper size 13”x13” both side printing-Enclose paper sample
14.	Printing on Books on Orient 8.5 kg. Paper size 13”x17”-100x2 sheets, Printing Ruling on single side with binding and covering with 22 kg. Craft Paper Yash Make.-Enclose Sample of Orient Paper and Craft Paper)
15.	Measurement Book-size- 1/8, 100 pages with printing on white Orient Paper & Ruling on both side with cover of hard koot. -Enclose paper sample with Sl.No.
16.	Register Printing on 12 kg. 80 GSM Ballarpur Ledger Paper,Size-18”x22” - 10 Qr. Both side printing and ruling with covering and raxine pasting on cover.-Enclose Paper Sample with Sl.No.
17.	Register Printing –Size-18”x14”, 10 Qr. Paper qualities and other work as mentioned in Sl.No. 18-Enclose paper sample with Sl.No. No.
18.	Register Printing Size-8 1/2”x13 1/2”, 06 Qr. Paper Quality and other works as mentioned in Sl.No.18-Enclose Paper Sample with Sl.No.
19.	Register Printing Size- 15”x20”, 06 Qr. Paper qualities and other works as mentioned in Sl.No.18-Enclose Paper sample with Sl.No.
20.	Envelop (Best Quality with Printing on cover) 22 kg. Craft Paper Yash Make Size- 9”x4”, 11”x5”, 14”x17”, 10”x12”, 8”x10”. 15”x12”
21.	Envelop (Best Quality with Printing on cover) 22 kg. Parchment Paper Size- 9”x4”, 11”x5”, 14”x17”, 10”x12”, 8”x10”. 15”x12”
22.	Envelop (Best with Printing on cover) 38 kg. Natural Sad 120GSM Paper Size- 14 ”x17 ”,M.J.Board
23.	E C G Card Printing on Pulp Broad 10 kg. Gross Wt. Paper Size-1/8 Double Fold.
24.	Printing on Pulp Board Paper 10 kg. Gross Wt. Paper Size – ¼ Double Fold both side printing-Enclose Paper sample with Sl.No.
25.	Printing of Certificate, Size- ¼ Demy on Ivory Board Paper, Screen-Printing after Computer Composing for 100 pcs. –Enclose Sample with Sl.No.
26.	Best Quality Note Sheet (IGIMS Printed)– 8 ½ “ x 13” on ladger paper balarpur made 10.3 kg
27.	Institute Pad – A/4 size on executive bond paper 85GSM
28.	Clip File Best Quality (IGIMS. Printed) Extra thick
29.	Fly Leaf Best Quality (IGIMS, Printer) Hard Board cloth pasting inner & upper
30.	Echo Format
31.	ICU Master chart
32.	Donor Master Record Register
33.	Donor Counseling Register
34.	Donor Reaction Register
35.	Blood Bag Sterility Register
36.	Blood dropping Register
37.	Volunteers Register
39.	Reverse Group Register
40.	TTI Register-HIV, HCV, HBsAg, RPR, MP
41.	A,B,O,AB Blood bag Sticker
42.	A,B,O,ABPlatelet/Plasma, Platelet, FFP Concentrate
43.	Consent form
44.	Demand Form

45.	Book Pocket
46.	Book Slip
47.	Book Card
48.	Borrowers Card
49.	Answer Sheet – 8 to 10 Pages (Printing on ¼ size Sunlit Bond Paper 7.7 _{kg} . 58 GSM Paper both sides Printing-Enclose Paper Sample)
50.	Additional Answer Sheet 4 to 6 Pages (Printing on ¼ size Sunlit Bond Paper 7.7 _{kg} . 58 GSM Paper both sides Printing-Enclose Paper Sample)
51.	Practical Answer Sheet 4 to 6 Pages (Printing on ¼ size Sunlit Bond Paper 7.7 _{kg} . 58 GSM Paper both sides Printing-Enclose Paper Sample)
52.	Printing of Journal Book Cover, Rexine and binding of book (As per Sample)
53.	Service Book (As per Sample)
54	Printing of different kinds of book rate submit per page with cover printing and binding (as per sample) (Printing on ¼ size Sunlit Bond Paper 7.7 _{kg} . 58 GSM Paper both sides Printing-Enclose Paper Sample)

NOTE: RATE ABOVE ITEMS IF QUOTED WITHOUT SAMPLE AND THEIR SL.NO.WILL NOT BE CONSIDERED.

LIST OF STATIONARY ITEM

Sl.No. Name of the Item

1. Carbon –Kores-100 Sheet :Tip-Top- 5 Star
2. Pencil (Blue)Carbon –Kores- (SAPPHIRE) 100 Sheet
3. Guard File (Enclose Sample with Signature & Stamp)
4. Register Plain & Ruled- General- Size:1 Qr.,2 Qr.,4 Qr.(Enclose Sample with Signature & Stamp)
5. Stencil Paper-Kores – 50 sheet
6. Stapler No. 10 Max/Kangaroo
7. Stapler No. 24/6 Max/Kangaroo (big/Small)
8. Stapler No.23/17 Max/Kangaroo
9. Staple Pin for above Machine
10. Scale Plastic (Kores) 12”
11. Plain/Ruled Paper: Full Scape Size (Each Quire)
12. Ink Pad (Kores/Camel) Small, Medium (Mention Make) and Big
13. Correcting Fluid(White for Typing with Set of Dilution-mention make)
14. Correcting Fluid (Red) for Stencil Paper (mention make)
15. Gum- 300 ml- Bottle (Kores)
16. Typing Ribbon – Kores
17. Paper Pin (Tiger) 100 gm. Gross wt.
18. Cover File
19. Glass Marking Pencil
20. Stamp Pad Ink
21. Punching Machin: Kangaroo- Small & Big Size
22. Peon Book (Mention Page No.)
23. Short hand Book –Milan (Mention Page No)
24. Signature Pad
25. Dispatch Register :4 Qr., 6 Qr., (Enclose Paper Sample with Signature & Stamp)
26. Issue Register: As above in Sl.No. 34.
27. Receipt Register: as above in Sl.No. 34.
28. Stock Register : 4 Qr. , 8 Qr., (Enclose Paper Sample with Signature and stamp)
- 29. Photostat Paper-A-4-Modi Challenger (MX) etc**
- 30. Photostat Paper-A-3-Modi Challenger**
- 31. Photostat Paper-Legal Size**
32. Attendance Register- 12 Page
33. Gem Clip-Nickel & Plastic coated 100 pcs.
34. Cloth Envelop: 10”x14”, 10”x12”, 08x10”
35. Cello Teps ($\frac{1}{2}$ x9 Mt)
36. Cello Teps (Biggest Size-mention the size)
37. Tag Bunch: 100 pc. (Enclose Sample)
38. Fly Boar
39. Transparcy Sheets(OHP)
40. OHP Pen Set (Blue,Black,Red,Green)
41. Chalk (White) & Different Colour
42. Floppy (3 $\frac{1}{4}$ “,DD/DS,1.4 MB)
43. Board Pen (Blue,Black,Red,Green)
44. Blotting Paper sheet.
45. Heucoblast roll
46. HP Colour Laser jet for 1600, 1022,1007,1108,1020,1005 model Cartridge

Note: Weight/Thickness (in GSM) and quality of paper should be mention, wherever applicable.

ALL THE ABOVE ITEMS SHOULD BE QUOTED WITH SAMPLE AND DETAILS OF MAKE

Item Description

GROUP – “F”

CONSUMABLE AND NON CONSUMABLE FOR REGIONAL INSTITUTE OF OPHTHALMOLOGY (R.I.O.)

Wire Speculam
Mac – Pherson
Vanas Seissor(S+)
Vannas Scissor (Curved)
Vanas Seissor(Angled)
Needle Holder 10-0,6-0
Lims Forcep
Hoskins
Suture Tying(S T)
Suture Tying(Curved)
C.V Needle Holder
Tooth Forcep
Lens Holding Forcep
Superior Rectus Forcep
Conjutival Scissor (Cuved)
Tenotomy Scissor
Conjuetival Scissor(St)
Lens Spatula
Lens Hook
Irrigating Vectis
Calliper
Iris Repositor
Simco Two way Canula 21G,22G reverse
Plan Conjutival Forcep
Heat Cautery
Catarat – Prob For Croyo
R.D Prob For Croyo
Trabulectomy Punch
Capsularexis forceps
Ptosis Knifc
Cittle Ronger (Bone Cutter)
cerved Corneal Scleral Scissors
Castro Needle Holder With Lock Curved And Straight
Corneal Knife dissector Dissection
DCR Set
Senskuy Hook
Y.Dialor
Cryo System With Set Of Probes With Ietronic Control for Rapid Repeated Freeze And Defrost.
Cyles With Automatic Purging And On Screen Display –of the Process And Pressures
Set of Self – Retaining Vitrectomy Lenses
Laser indirect ophthalmoscope delivery System With 20 D And 30 D Laser Lenses.
BIOM Wish 90 D lens W f ,W FE,Hires Macula Lense And Candensing Lens For Leca Microscope
Sterrad 100s Sterilzation System For These Lenses And Sterilzation Ease.
Ultra Sonic Cleaner For Ophthalmoscope And All Micro Surgical Instruments
ETO Sterilization System For RI O
Phaco Blade 1.4
2.8mm,3.2mm,3mm
Reusable Handle Compatille with blades for phaco surgery side sport,cresent
Extention Bledes 5.5mm,6.0 Mm
Micro Scoop Bulb Lica 12 V/ 50W
Microscope Bulb (AppA (S MZ-645)
Yag Laser Bulb 6
S.L Bulb (Model No 250)
Enteropin Clamp
Pigtail Probe
Muscle Clamp
Enuclelion scopp Spoon
Muscle Hook
Lacrymal Probe

Vision Drum
 Trial Set
 Trial Frame
 Punctur Dilator
 Wire Speculum
 Epilation Forcep
 Tenotomy Scissors
 Boiler (Hot)
 Double stand
 Tonometer (Schioz)
 Protector set(Lacnmal)
 Simco Canula (Jeshape)
 Sponge Holder small Size
 Reusable Trtanium Micro scissors and Micro Forceps with sterilization tray
 Horizontal Scissors
 Cornal Scissors (Straight/Curved)
 Pan Fundascope Lens
 Microscope Bulb (Takaji15 Volt/150 Volt
 PC IOL(Power Of Lence) 16D to 28D
 AC Lence power of Lence + 18D To 22 D
 Double frequency ND Yag laser(532nm)
 Indirect Ophthalmoscope
 Bulk-20D,30D,
 Lens 60 D,78 D & Super 66 lens
 Bi manual (IA Canula)
 Keratome- steel
 Disposable on Reusable Handle
 2.8 mm
 3.2 mm
 3 mm
 Extention Blade 5.5 mm
 BP Blade No.11
 BP Blade No.15
 Aluminium jar (4" X 4")
 Aluminium jar (6" x 6 ")
 5.5 tray with cover(steel)(12" x 10 ")
 5.5 tray with cover(steel)(15 " x 12")
 Kidney tray (med size)
 5.5 Bowel steel(small)
 Dressing drum(12 " X 10 ")
 Dressing drum(15" x 12 ")
 Dressing drum (11 x 9 ")
 IV Stand
 Dressing Trolly
 Suction machine with suction tube

Item Description

GROUP-“G”

(RADIOLOGICAL ITEM)

“RADIOLOGICAL ITEM: X’RAY,C.T. SCANE FILM , PHOTO FILM ANF OTHERS

SI.No. Name of Item

1. Inj. Aethoxyskrlerol 3%-2 ml. Amp.
2. (a) Ionic Intravenous Contrast Media for Radiological Procedure & C.T. Scan and Cath Lab

(b) Non-Ionic Intravenous Contrast Media for Radiological procedure and C.T. Scan Investigation and Cath Lab

3;- **LEAD APRON**

- | | | | |
|----|--------------|---|----------------------------|
| A. | Regular Size | - | 100 cm upto 5’ 6” |
| B. | Long | - | 100 cm. (Up to 5’6” to 6’) |
| C. | Extra Long | - | 120 cm. (above 6’) |
| D. | Short | - | 90 cm. (below 5’) |

WRAP AROUND APRON.

- | | | | |
|----|---------|---|----------------------|
| A. | Regular | - | 100 cm. (Upto 5’6”) |
| B. | Long | - | 110 cm. (5’6” to 6’) |

--- THYRIOD SHIELD

---- GONAD SHIELD

---- HALF APRON (GONAD/OVERY PROTECTION)

---- LEAD GLOVES

---- GLASS GOGGLES

----- USED HYPOSOLUTION (FIXER) OF X’RAY CHEMICALS MACHINE

----- X-OMAT Film for RCC(Ready Pack)

----- Ultra Sound Jelly

**** ALL THE ABOVE ITEMS SHOULD QUOTED WITH DETAILS OF MAKE/PACK SIZE AND LITRATURE**

Item Description

Group-“H”
ELECTRICAL MAINTENANCE ITEMS

(Electrical And metenance items)

	Name & Details of Item
01.	Tube Light – 40 W-Philips/Surya/Osram/Bajaj/Philips
02.	Chock for 40 W T/L-Copper- Philips/Surya/Bajaj /Philips
03.	Starter for 40 WT/L- Philips/Surya/ Bajaj/Philips
04.	CFL 5W,10W18W, 25W ,36W Philips/Bajaj
05.	S.V. Lamp-150 W-Phillips/Bajaj
06.	Chock for S.V.lamp-150 W-Phillips/Bajaj
07.	Ignator for S.V. Lamp-Phillips /bajaj
08.	M.U.L.-125 W-Phillips
09.	Chock for 125 W-M.U.L.-Copper-Phillips
10.	Isolator-63 Amp- L&T -MD.S -
11.	Isolator-100 Amp.- -Havell’s-DP -Havell’s-FP
12.	D.P. Switch-32 Amp.-Anchor/Havells
13.	M.C.B.-32 Amp.-S.P.-Havell’s
14.	M.C.B.-20 Amp. & 10 Amp.-S.P.-Havell’s/L&T
15.	Comp/Switch/Shocket-15 Amp.-Anchor/ Havells
16.	Comp./Switch/Shcoket-5 Amp.-Anchor/ Havells
17.	Top-15 Amp.-03 Pin- Anchor
18.	Top-05 Amp Anchor
19.	Switch-05 Amp.-Anchor
20.	Shocket-05 Amp.-Anchor
21.	Holder-Pandent Anchor)
22.	Fan Condensor-2.5 MFD -3.25 MFD Siemens Universal Anchor
23.	SLF 18W, 25 W ,Phlips/Bajaj
24.	Insulated single core Copper Wire-3/20-/Finolex/Havell’s-/Anchor eachCoil(with lengthh)
25.	Copper Wire-7/20-Finolex/Havell’s- each Coil
26.	A I Wire-4 mm. 2-Anchor- Anchor each Coil
27.	P V C Tape insulating tape steel greep
28.	3 Core insulated PVC copper wire for havey duty current capacity of size 40/20 and 80/20 size
29.	Call Bell-Anchor
30.	Call Bell Switch Box-Type- Anchor
31.	CFL Tube Light-20 W-Phillips/Osram/bajaj
32.	Copper Chock-20 W-Anchor/Phillips/Bajaj
33.	Switch-15 Amp.-Anchor
34.	Shocket-15 Amp.-Anchor
35.	
36.	1.5 Volt Torch cell
37.	Telephone Set
38.	Main-Switch,T.P. & N. (Wall Mount) 100 Amp. L&T Hawells 200 Amp. 320 Amp. 400 Amp.

	630 Amp.
39.	Change Over Switch-630 Amp.-4 Pole (Sample Required) 400 Amp.-4 Pole (Sample Required)
40.	H.R.C. Fuse-63 Amp. - Havells and L&T 100 Amp.- Do – 200 Amp.- Do – 300 Amp.- Do – 400 Amp.- Do – 630 Amp.- Do -
41.	8/12- Baord (Complete) With hylom cover 8”/12” and size 26”x8” 6/8 Board
42.	Fan-Celling+Double-Orent/Usha-1200 mm. Orinet/Usha-1400 mm.Khaitan/CromptonBajaj/USHA Fan- Wall Fan
43.	Industrial Soket complete with Top-20 Amp. SNP 20 Amp.- Havells , LTT 32 Amp.-
44.	Bone spinal
45.	10 mm ² Aluminum Wire-ISI
46.	unslated rubber hand gloves of slandered size hand gloves of slandered size of ISI specification voltage 15KV/25KV
47.	Tube Holder- Anchor/Philips
48.	Tube Holder Stand
49.	MCB-4 Way D.B. Box-Havell’s/Ankor -6 Way D.B. Box-Havell’s/Ankors -8 Way D.B.Box-Havell’s/Ankors
50.	Electronic Regulator-Ancor
51.	Indicator Lamp-Anchor
52.	Keshing Beat- ½ “-Sample Req. 1”-Sample Req. 1 ½ “-Sample Req. 2”-Sample Req.
53.	Tube Light Set-(Complete Set with Tube)-Phillips/Anchor/Surya with copper chock
54	Blower Elements-2000 W-Bajaj/ Rampson/Roxy
55	Room Heater Element-Roxy-/Bajaj
56.	Insulating nose plier of 9” size & standard make
57.	Tourch with 3 cells & standard make
58.	Plastic Gulli- ½ “ 1”, 1 ½ “ 2”
59.	For Wood work Screw-1 Sample Req. 1½ “- . 2”- . 2 ½”- .
60	Steel Srew- 1 ½ “-Sample Required 2”-Sample Required 2.5 & 3”-Sample Required
61	Internal wiring beat of plastic make of ½ “ 1”, 2”, 1 1/2”
62.	Ctimping Tools 4 mm, 2 to 400 mm-MM-. Rechered Type of standared make

63.	Erath test megger Insulating 1 insulation mesure megger – 1000volt of standard make
64.	Drill Machine/Hammer Drill heavy duty-Boosth
65.	Blenket
66.	
67.	200/Watt
68.	CVT-Magnum-0.5 KVA- -Magnum-1.0 KVA- -Magnum-1.5 KVA- -Magnum-2.0 KVA- -Magnum-3.0 KVA- -Magnum-4.0 KVA- -Magnum-5.0 KVA-
69.	UPS-Line Interactive-Venus-30 Minutes Backup
70.	Tester 230 V
71.	Cell/Batteries for UPS-12 V/7-AH-Dry Rechargeable 12V/7AH-Dry Rechargeable
72.	Hot Air Blower-Roxy-/Bajaj
73.	Chock for sodium vapoar lamp of 250 w capacity ,
74.	Sodium vapor lamp of 250w capacity
75.	Transfermer oil braking insulation 40 kv & above
76.	Single stand single core –PVC insulated alluminium wire of 4mm sq, 6mm sq, 10mm sq.
77.	M.C.B.-TPN- 63 Amp.-Havell’s, L& T /MDS
78.	M.C.B.-TPN-100 Amp. Do
79.	M.C.B.-TPN-40 Amp.-Havell’s DO
80.	M.C.B.-TPN-32 Amp-Havell’s-Do
81.	M.C.B.-SPN-63 Amp.-Havells DO
82.	M.C.B.-SPN-40 Amp.-Havell’s -DO
83.	M.C.B.-TPN-32 Amp.-Havell’s-DO
84.	M.C.B.-TPN-20 amp.-Havell’s-DO
85.	Bulb Holder Button-Anchor
86.	Celling Rose-Anchor
87.	Condencer-4.0 MFD-Sample Required Astant/ Universal/Simens
88.	With copper stand Flexible Wire-30/76-National -40/76-National
89.	-
90.	Regulator-Fan-General Type-Polar/Orient-
91.	Cald Bell Switch (Board Type)- Anchor
92.	Insulated Screw Driver 12 “ 824, 826
93.	
94.	Wall Fan (Standard Size)-Sample Required/Bajaj/ Khaitan/ Polar/Usha
95.	Pedstall Fan-Standard Size-Sample Required Bajaj/ Khaitan/ Polar/Usha
96.	Exhaust Fan-(600 mm/900 mm)-Sample Required GEC,Usha, Bajaj heavy duty , double ball bering
97.	Single Tube Light Set Box-Type-Hanging- with copper chock (philips, Bajaj
98.	Double Tube Light Set-Box-Hanging-Phillips-/Bajaj with copper chock
99.	Gum Boot of standard size 8 no & 10 no size
100.	Digital clamp meter tong tester cum multimeter measuring current up to 800 AMP, 1000volts , 0-100megha ohms
101.	Tong Tester- 0 to 1000 Amp. Digital
102.	Main Switch (FN-type) Painal Mounted of Different Capa. 63Amp.Havells - L&T 100 Amp.Havell’s-Do 200 Amp.Havells’- DO 400 Amp.Havell’s- DO 630 Amp.Havello’s - DO

103	Stradred exide make 12 V-25 Plate Battery for Generator Set
104	Bave coper wire of 6 SWG, 8 SWG 12SWG & 14 SWG SBE
105	Hylam Sheet-5"x5"-Sample Req. 8"x6"-Sample Req. 8"x12"-Sample Req. 12"x15"-Sample Req.
106	
107	MCB- Channel-Standard make-
108	Machine Screw- 1"- Sample Required 1 ½ "-Sample Required 2"-Sample Required 3"-Sample Required
109	Water Heating Element 2 kw/230V
110	Room Heater-1000 W-Bajaj-
111	Spner set of 9 Standard make
112	Heating road of 2 kw, 4 kw & 6kw /240v
113	Thermo State(0- 100c)
114	Thermo state 0- 100 deg c, 150 deg c
115	Cfl bulb 18 w , 12 w, 16w, 25w, 85w.
116	Contractor 3 phase 440V(L&T/cutter Hammer etc)
117	sealed lead Acid Battery (12v/7AH Battery)
